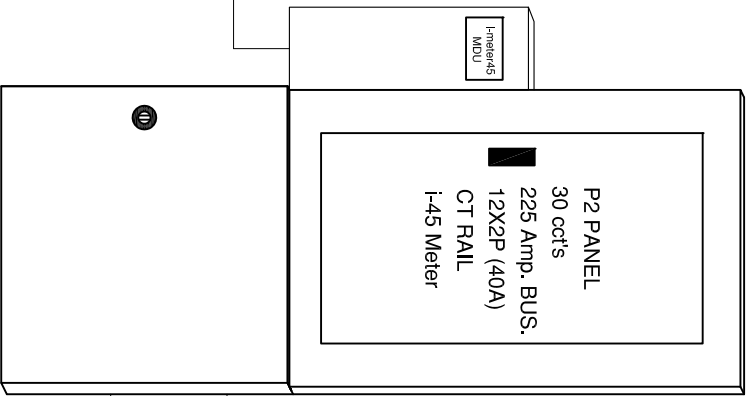
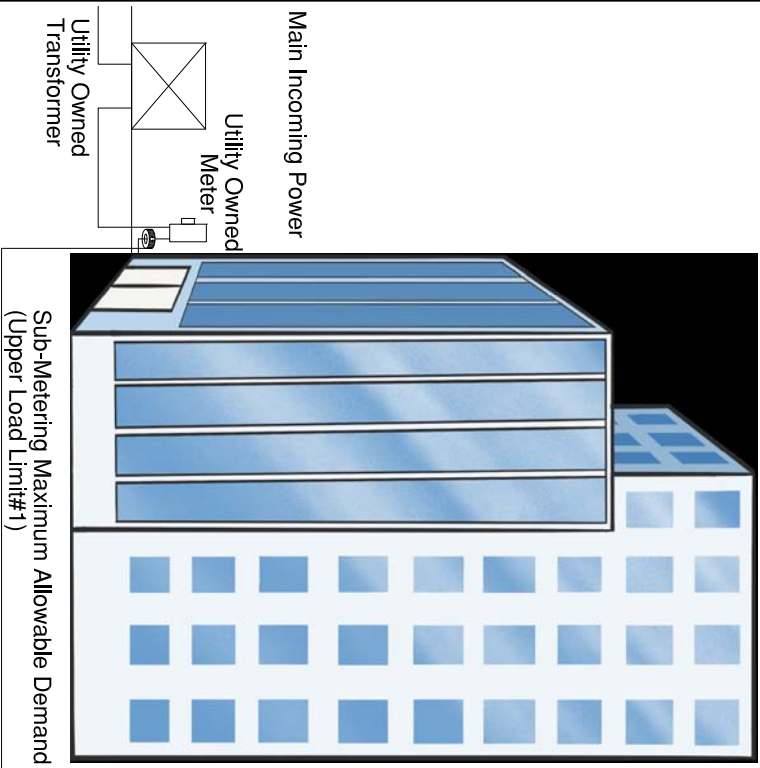


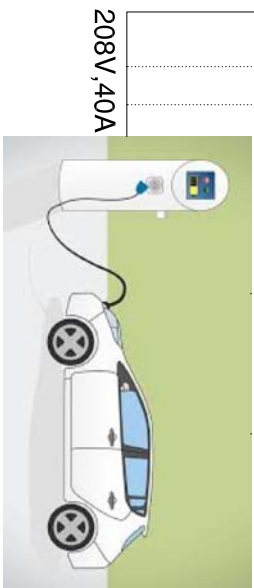
# EVCMC-12 EV ENERGY MANAGEMENT SYSTEM



Metering Maximum Ampacity  
(Upper Load Limit#2)



208V, 40A



208V, 40A

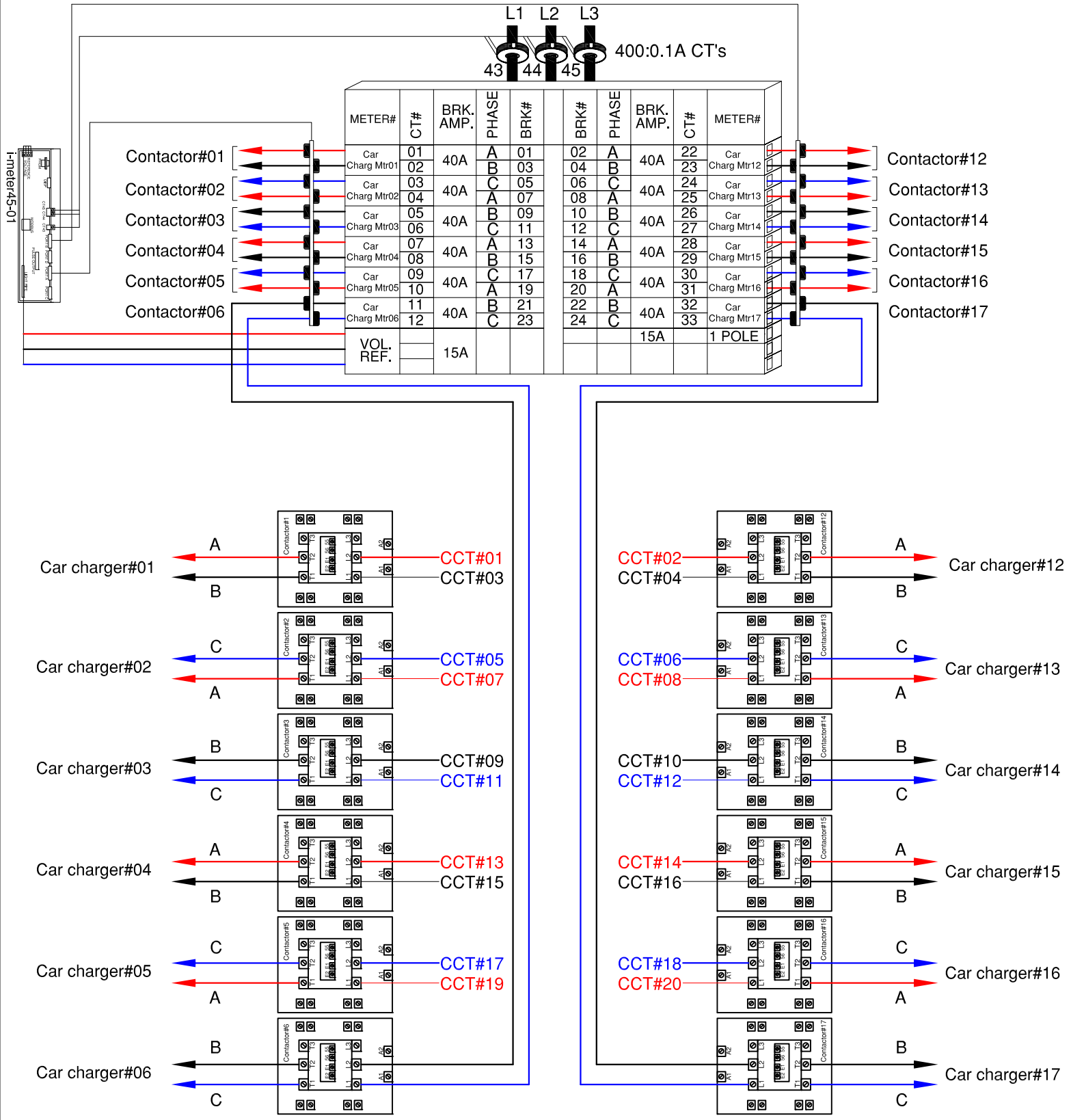
$$\Sigma \text{Car Loads} < \left\{ \begin{array}{l} \text{Upper Load Limit\#1} \\ \text{OR} \\ \text{Upper Load Limit\#2} \end{array} \right.$$

1125 Squires Beach Road Pickering, Ontario L1W 3T9 Phone: (905) 839-9199 Fax: (905) 839-9198 intellimeter.on.ca	
Project Name:	
Distributor:	
Engineer:	
P.O.#	
Contractor:	
Date:	Rev:
31/12/2020	
Project #:	
Drawing #:	
Drawn by: Hossein Pakbin	
Checked:	
Drawing:	

**intellimeter**  
CANADA INC.  
Innovative Metering Solutions



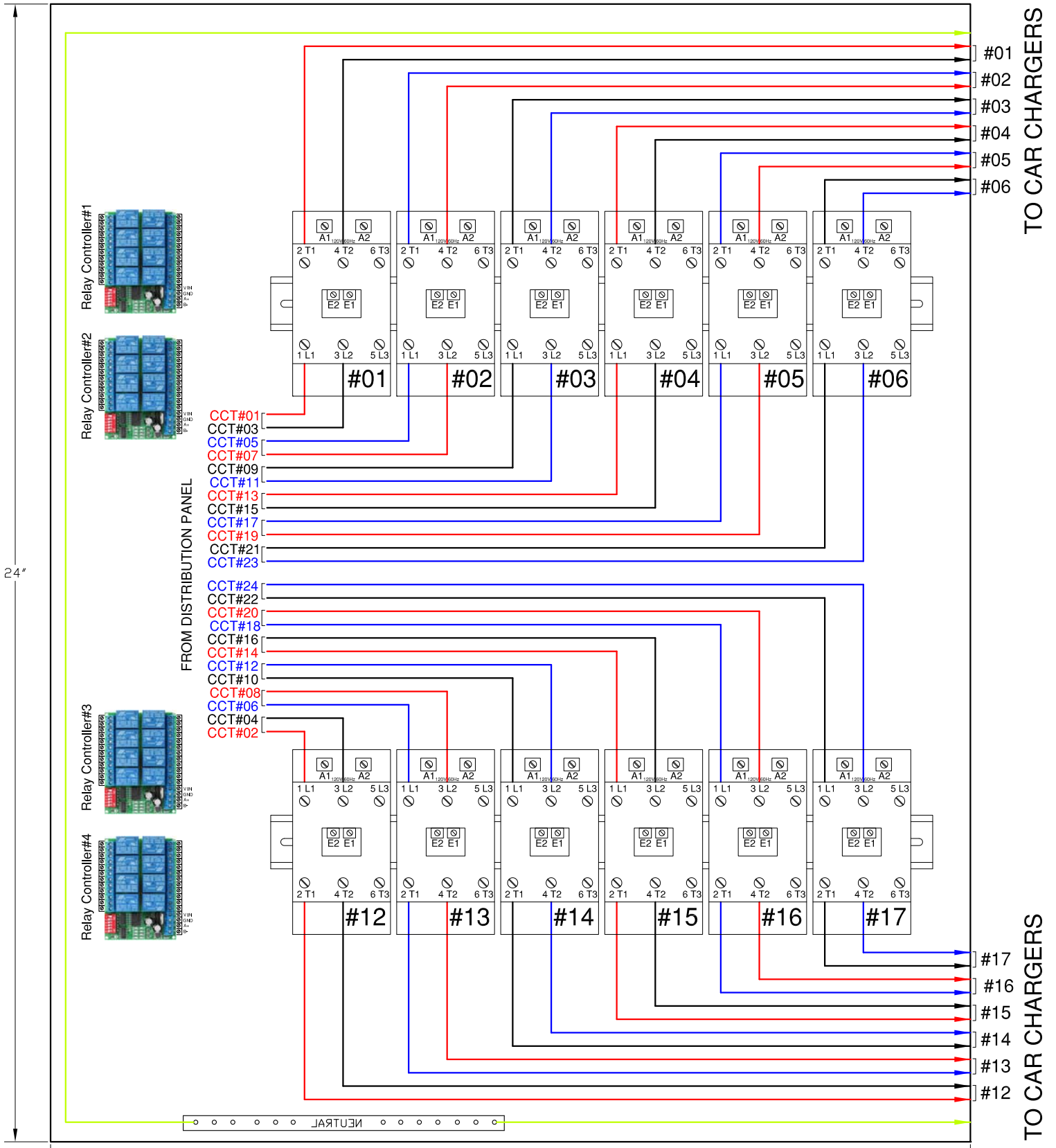
# EVCMC-12 EV ENERGY MANAGEMENT SYSTEM i-meter45 Meter and Power Relays Wiring Diagram



# EVCMC-12 EV ENERGY MANAGEMENT SYSTEM

## Contactor with Mechanical Latch Power Wiring Diagram

### 24"X20"X10" Enclosure



24"

20"

TO CAR CHARGERS

TO CAR CHARGERS

 CANADA INC. Innovative Metering Solutions	1125 Squires Beach Road Pickering, Ontario L1W 3T9 Phone: (905) 839-9199 Fax: (905) 839-9198 intellimeter.on.ca	Project Name:	Distributor:	Engineer:	P.O.#:	Date:	Rev.:	Project#:	Drawing#:	Drawn by:	Checked:	Drawing:
						31/12/2020					Hossein Pakbin	

# EVCMC-12 EV ENERGY MANAGEMENT SYSTEM

## Contactor with Mechanical Latch to Relay board Wiring Diagram

### 24"X20"X10" Enclosure

