



## Mains pressure indoor outdoor enamel cylinders Owner and installer guide

**Rinnai**

---

# Important

---

Cylinders shall be installed in accordance with:

- Manufacturer's installation instructions
- Current AS/NZS 3000, AS/NZS 3500, and G12/AS1

Installation, servicing and repair shall be carried out only by authorised personnel.

Not suitable as a spa or swimming pool heater.

- Owner, please retain this guide for future reference
- Installer, please leave this guide with the owner

## **Warning**

Improper installation, adjustment, alteration, service and maintenance can cause property damage, personal injury or loss of life.

This appliance is not to be used by persons (including children) with reduced physical, sensory or mental capabilities, or lack of experience and knowledge, unless they have been given supervision or instruction.

For more information about buying, using, and servicing of Rinnai appliances call: 0800 RINNAI (0800 746 624).

Rinnai New Zealand Limited  
105 Pavilion Drive, Mangere, Auckland  
PO Box 53177, Auckland Airport, Auckland 2150

Phone: (09) 257-3800  
Fax: (09) 257-3899  
Email: [info@rinnai.co.nz](mailto:info@rinnai.co.nz)  
Web: [rinnai.co.nz](http://rinnai.co.nz)  
[youtube.com/rinnainz](https://www.youtube.com/rinnainz)  
[facebook.com/rinnainz](https://www.facebook.com/rinnainz)

---

# Contents

---

About your cylinder.....	4
Maintenance and servicing.....	5
Troubleshooting.....	6

## **Installation**

Specification summary.....	8
Dimensions.....	9
Plumbing setup.....	10
Storage and delivery temperatures.....	11
Water quality.....	12
Electrical supply and connections.....	13
Valves and fittings.....	14
Commissioning.....	15
Limited Warranty.....	16
Warranty examples in the real world.....	18
Proof of purchase.....	19
Installer details.....	19

# About your cylinder

Water is heated by an electric element located in the cylinder. The temperature of the water is controlled by an automatic thermostat that is set by your installer, usually to 65 °C.



## Important

All cylinders have the potential to leak water. To minimise damage to other areas of your home, ensure that your cylinder has been installed with a drip tray—the person doing the installation is responsible for this.



\* Refer to the warranty terms and conditions in this guide for more information.

## Safety messages

- **Element cover**  
Do not remove the element cover as this will expose 230 V wiring and must only be removed by an authorised person.
- **Thermostat setting**  
Must only be adjusted by an electrician or other suitably qualified tradesperson.
- **Damaged components**  
If any component is damaged, it must be replaced by an authorised person using Rinnai replacement parts.
- **Child supervision**  
Children should be supervised to ensure they do not play with any part of the hot water system.
- **Hot pipe work**  
Care should be taken not to touch the pipe work from the cylinder as this could be very hot.

## Safety devices

Your cylinder is fitted with a:

- Temperature & Pressure and Relief (TPR) valve that ensures the water remains at a safe pressure and temperature.

- Automatic thermostat to maintain water temperature.
- Temperature override cutout for heating element.

The operation of the thermal cutout can indicate a dangerous situation. Do not reset the thermal cutout until the water heater has been serviced by a qualified person.

Do not operate the system unless all the safety devices are fitted and are in working order. It is also important that you do not tamper or remove any of these devices.

## Cylinder thermostat setting

To meet the New Zealand Building Code requirement<sup>1</sup> to disinfect water for legionella bacteria<sup>2</sup>, the cylinder thermostat has been set to 65 °C.

## Hydrogen gas

If hot water is not used for two weeks or more, a quantity of hydrogen gas, which is highly flammable, may accumulate in the cylinder. To dissipate safely, it is recommended a hot tap (non-electrical) be turned on for two minutes at a sink, basin or bath. During this procedure there must be no smoking, open flame, or any other appliance operating nearby.

## Turning the cylinder on/off

If you plan to be away for a few nights we suggest you leave the system switched on. If it is necessary to switch it off, when switching back on, remember that the cylinder will take time to heat back up again.

## Draining and filling the system

This normally occurs during installation or servicing and must be carried out by an authorised person.

## Installation by a licensed tradesperson

Only a licensed tradesperson can install, adjust, maintain, and service this water heater. Any work carried out by a non-licensed tradesperson is illegal and will void any warranty.

<sup>1</sup> Clause G12.3.9, Acceptable Solution G12/AS1 6.14.3

<sup>2</sup> Legionella is a bacterium that can cause Legionnaires' disease—a severe form of pneumonia

# Maintenance and servicing

Hot water systems, like cars, require regular maintenance and servicing. To ensure longevity of your cylinder we recommend the following.



Period	What needs to be done
Every six months	TPR (temperature & pressure relief) operate the easing gear
Year five	Inspection and service the entire hot water system, including element*
Every 24 months after year five	Inspection and service the entire hot water system, including element*

\* In hard water areas the element(s) must be periodically descaled. To do this the cylinder must be drained and the element(s) removed

## TPR valve

Depending on the model the valve is located near the top, or on top of the cylinder. It is essential for safe operation. The TPR valve works by automatically venting hot water if the temperature or pressure of the water in the cylinder gets too high.

Every six months operate the easing gear to remove lime deposits and to check that it is not blocked. As this will discharge hot water, ensure no one is near the drain line.

**WARNING** Failure to operate the relief valve easing gear at least once every six months may result in the water heater exploding. Continuous leakage of water from the valve may indicate a problem. It is important that you raise and lower the easing gear gently.

During the operation, if the valve does not discharge water when the easing gear is lifted, or does not seal again when closed, arrange for an authorised person to come and inspect the system immediately.



During servicing of your cylinder the TPR valve needs to be checked

and/or replaced. This needs to be done by an authorised person at intervals not exceeding five years, or more frequently in areas where the water is classified as hard.

A TPR valve must not be replaced with one that has a higher pressure rating than that specified for the cylinder.

## Anodes in enamel tanks

Storage tanks manufactured from metal can be susceptible to corrosion. The combined effects

of water pressure, temperature and water chemistry can create an aggressive environment for corrosion of some materials. For this reason anodes are placed in enamel tanks so as to corrode first. Anodes should be changed every five years or more frequently in hard or aggressive water areas.

## Maintenance and servicing

Rinnai has a maintenance, service, and spare parts network with personnel who are fully trained and equipped to give the best advice on your Rinnai product. Regular maintenance and servicing is not covered by the Rinnai warranty.

For help locating a service person in your area call 0800 RINNAI (0800 746 624).

TPR position - top of cylinder



How to operate the easing gear



# Troubleshooting

Do not attempt to carry out any work other than that mentioned in this troubleshooting section. If you have any other faults or problems, please contact your installer, or contact Rinnai.

<b>Problem</b>	<b>Possible solution</b>
Lack of hot water or no hot water	<p>Is there electricity supply to the cylinder?</p> <p>Check that the isolating switch marked 'hot water' or 'water heater', at the meter box, is switched on. Also check any isolating switches near the water heater are switched on.</p> <p>Check the fuse or circuit breaker marked 'hot water' or 'water heater' at the meter box. Repeated failure of the fuse or tripping of the circuit breaker indicates a fault, which must be investigated by an authorised tradesperson.</p> <p>Most hot water cylinders are controlled at peak times by your electricity supplier via a ripple relay. Contact your electricity supplier to determine if there have been any issues with the power supply.</p>
Lack of hot water or no hot water	<p>Are you using more hot water than you think?</p> <p>Often you don't realise how much water is actually being used. This applies especially when showering. Typical flow rates for showers is approximately 8-10 litres per minute. Conduct a simple experiment by placing a measured bucket under your shower for ten seconds and multiply by six to determine the amount of water produced over a minute. If your result is significantly more than the rates mentioned you may want to consider installing a low flow shower rose—available at all good plumbing stores.</p>
Lack of hot water or no hot water	<p>Cold water relief valve discharging continuously?</p> <p>It is normal for the cold water relief valve to discharge a small quantity of water through the drain line. If water is discharging continuously there may be a fault with one of the valves, contact the installer to discuss.</p>
Water is too hot	<p>If possible check the temperature of the water coming out of a hot water tap with a thermometer. If it is higher than 55 °C then this indicates a problem with your system—contact an electrician for advice.</p>
High electricity bills	<p>If you think your electricity bill is too high, investigate the following:</p> <ul style="list-style-type: none"><li>• Has your electricity tariff changed?</li><li>• Is your cold water relief valve discharging continuously?</li><li>• Are you using more hot water than normal?</li><li>• Has there been any leaking hot water pipes, or taps?</li></ul>

# Installation

Installation, servicing and repair shall be carried out only by authorised personnel.



# Specification summary

## Suitability

Residential and commercial (including solar) indoor and outdoor installations.

- Mains and low pressure systems
- Left or right hand plumbing connections (selected models; 215, 275, 340 L)

Hard or aggressive water will need to be treated in order to use this product, please test before use.

Not suitable as a pool or spa heater.

The system should be located and arranged so as to achieve the closest proximity to water draw off points.

## Construction

- Vitreous enamel lined inner cylinder.
- Corrosion resistant outer casing.
- High density expanded polyurethane foam insulation.

## Connections

Hot and cold water connections  $\frac{3}{4}$ " (20 mm).

## Elements

- 90 L 2 or 3 kW
- 135 L 2 or 3 kW
- 180 L 2 or 3 kW
- 215 L 3.6 kW
- 275 L 3.6 kW
- 340 L 3.6 kW

cTech element positioned at the bottom of the cylinder.

## Pressure limiting (reducing) valve

500 kPa (approx.) all models

## Cold water pressure expansion valve

700 kPa (approx.) all models

## Thermostat

The thermostat setting is between 60-75 °C. Maximum thermostat setting (in order to maintain the warranty) is 75 °C.

## TPR valve

Rating of TPR valve supplied with cylinder: 10 kW / 850 kPa / 99 °C.

A TPR valve is supplied with the water heater and MUST be fitted. The TPR valve thread should be sealed with teflon tape, do not use paste and hemp. Use the spanner flats on the valve body to tighten, DO NOT use a wrench on the valve body.

The TPR valve must be fitted with a drain pipe to direct any water discharged to a visible point outside the property. The drain pipe must have a continuous fall and be at least the same size as the TPR valve outlet ( $\frac{1}{2}$ " BSP). Where the drain pipe exceeds three metres in length it is recommended an air break be provided within 300 mm of the TPR valve outlet. Where an air break is used it is recommended that the pipe size after the air break be increased to one size larger than the TPR valve. It must also be protected from freezing conditions.

## Protection against water: IPX4

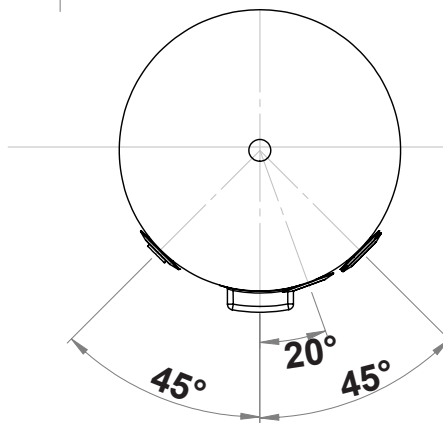
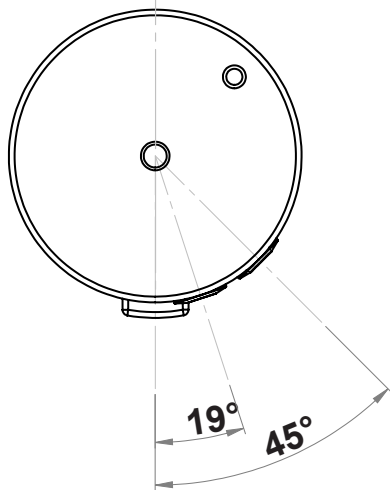
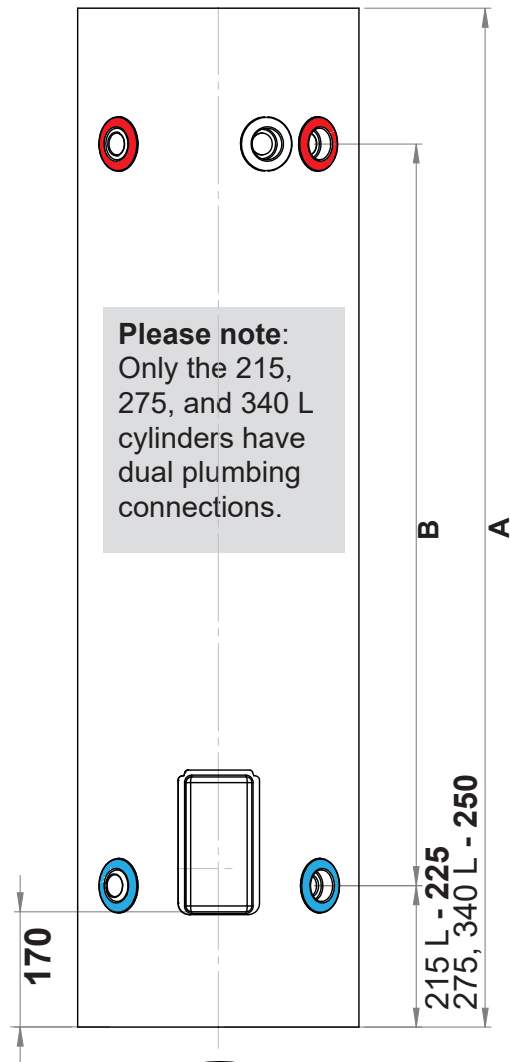
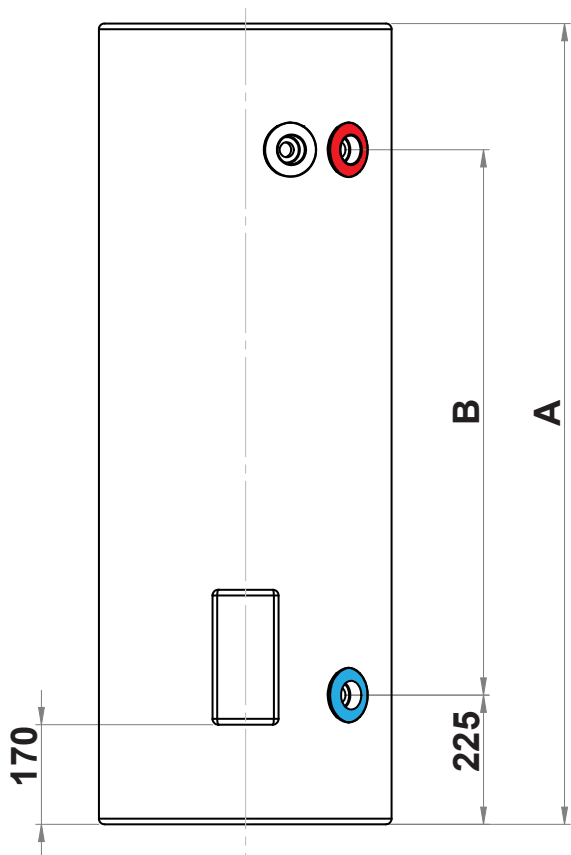
Weights	empty	full
• 90 L:	44 kg	134 kg
• 135 L:	56 kg	191 kg
• 180 L:	71 kg	251 kg
• 215 L:	83 kg	298 kg
• 275 L:	87 kg	362 kg
• 340 L:	101 kg	441 kg

## Cylinder heat up times and recovery rates (theoretical)

Based on a thermostat temp. setting of 60 °C and an incoming water temperature of 15 °C.

Cylinder		Heat up time	Recovery rate
90 L	2 kW	2.5 hrs	36.2 L/hr
	3 kW	1.7 hrs	54.3 L/hr
135 L	2 kW	3.7 hrs	36.2 L/hr
	3 kW	2.5 hrs	54.3 L/hr
180 L	2 kW	5.0 hrs	36.2 L/hr
	3 kW	3.3 hrs	54.3 L/hr
215 L	3.6 kW	3.3 hrs	65.1 L/hr
275 L	3.6 kW	4.2 hrs	65.1 L/hr
340 L	3.6 kW	5.2 hrs	65.1 L/hr





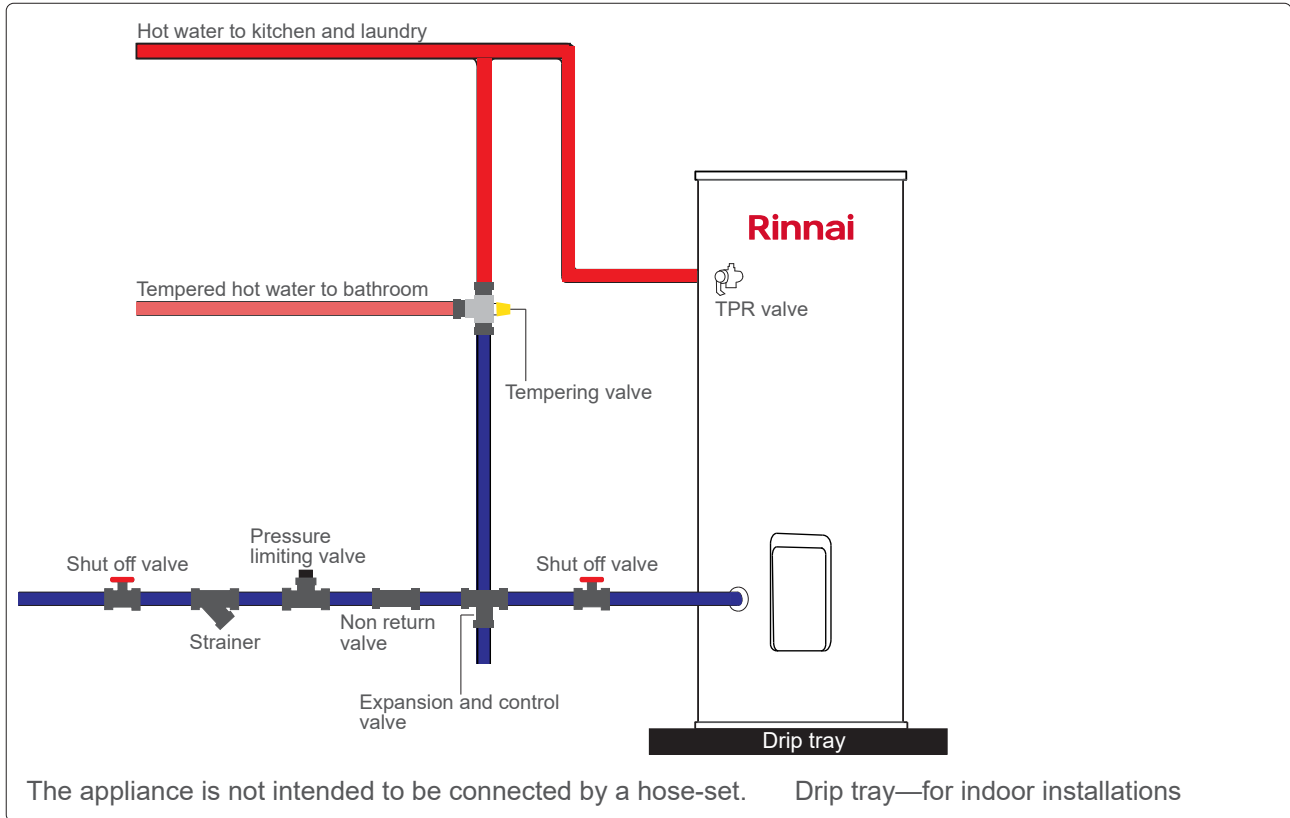
Model	Diam.(mm)	A (mm)	B (mm)
90 L	Ø 488	995	550
135 L	Ø 488	1395	950
180 L	Ø 488	1790	1345

Model	Diam.(mm)	A (mm)	B (mm)
215 L	Ø 515	1825	1375
275 L	Ø 685	1265	725
340 L	Ø 685	1510	970

# Plumbing setup

Cylinders should be installed in accordance with G12/AS1. For servicing and maintenance, please allow sufficient room for access to covers and valves.

## Plumbing setup for a mains pressure cylinder



### Base requirements

Tanks should be installed on a flat level base of sufficient strength to support the weight of the water heater when full.

The water heater must also be suitably restrained against seismic activity, 'G12/AS1 Figure 14' details an acceptable method of restraint.

### Drip tray/catch pan (MUST be fitted) - indoor installations

The Rinnai warranty does not cover any consequential loss from leaks to the cylinder, so it's important a suitably drained drip tray/catch pan is fitted as per AS/NZS 3500.4:2015 5.4 and G12/AS1 6.11.3

### Pipe work

It is the installer's responsibility to adequately size the distribution pipe work in a property to ensure sufficient performance from all outlet fittings. Water pipe sizing should be performed

in accordance with AS/NZS 3500.4 and/or G12 AS1. Pipe sizing and valve selection must be performed to allow for the water supply pressure.

A drain off tap or line must be fitted to the inlet of the water heater.

All hot water pipe work should be insulated with polythene foam or equivalent insulation to optimise performance and energy efficiency.

To prevent damage to the water heater when attaching pipe clips or saddles to the jacket, it is recommended that self drilling screws with a maximum length of 12 mm are used. If drilling is required take extreme care not to penetrate the inner cylinder.

# Storage and delivery temperatures

## Storage temperature

To meet the New Zealand Building Code requirement<sup>1</sup> to disinfect water for legionella bacteria, the cylinder thermostat has been set to 65 °C.



Thermostat settings must only be adjusted by an electrician or other suitably qualified tradesperson. The access cover to the element and thermostat must only be removed by an electrician or other suitably qualified tradesperson.

## Sanitary fixtures delivery temperature

Water temperatures over 55 °C can cause severe scalds. Local regulations must be considered regarding temperature limitations of hot water supplied to areas used primarily for personal hygiene. The temperature is limited to 45 °C for early childhood centres, schools, nursing homes or similar facilities and 55 °C for all other buildings. To comply with these requirements, a temperature limiting device, such as a tempering or thermostatic mixing valve will be required on all installations.

<sup>1</sup> Clause G12.3.9, Acceptable Solution G12/AS1 6.14.3

# Water quality

Rinnai cylinders are manufactured to suit most NZ council water supplies. However some water supplies can have a detrimental effect on the water heater, its operation, and life expectancy.



## Hard water

Hard water (containing calcium carbonate) can cause scaling on hot surfaces. We recommend a water temperature of no more than 65 °C to minimise scale build-up. Scale reducing or water softening devices should be considered in hard water areas. The unit is not guaranteed against damage due to scaling.

Water quality outside the limits (as set down below) will void this warranty. Water quality tests must be carried out at the customer's own cost but Rinnai will reimburse any reasonable test costs where water quality is within the limits tabled.

## Water quality and impurity limits

TDS (Total Dissolved Solids)	Total Hardness CaCO <sub>3</sub>	Dissolved (free) CO <sub>2</sub>	pH	Langelier Index
Up to 600 mg/L or ppm	Up to 200 mg/L or ppm	Up to 25 mg/L or ppm	6.5-8.5	Between -1.0-0.8

Most metropolitan water supplies fall within these limits. If you are unsure about water quality, please contact Rinnai and we will provide you with the details of an authorised agency able to test your water for compliance to Rinnai standards. If sludge or foreign matter is present in the water supply, a suitable filter should be incorporated in the water supply.

Some examples of water quality issues where water may need to be treated:

- Hard water (areas including Wanganui)
- Aggressive water (areas including Christchurch)
- Both hard and aggressive water (some bore water)

# Electrical supply and connections

The electrical connection must be carried out by a qualified person in accordance with NZ Electrical Regulations. The water heater must have the heating element connected to an independent, fused, AC 230 V 50 Hz power supply with an isolating switch installed at the switch board. Disconnect all power prior to installation and commissioning.

- The water heater must be filled with water prior to connection to the power supply
- Household wiring to the heater must be capable of withstanding the appliance load
- Fixed wiring must be protected from contact with the internal hot surface of the water heater

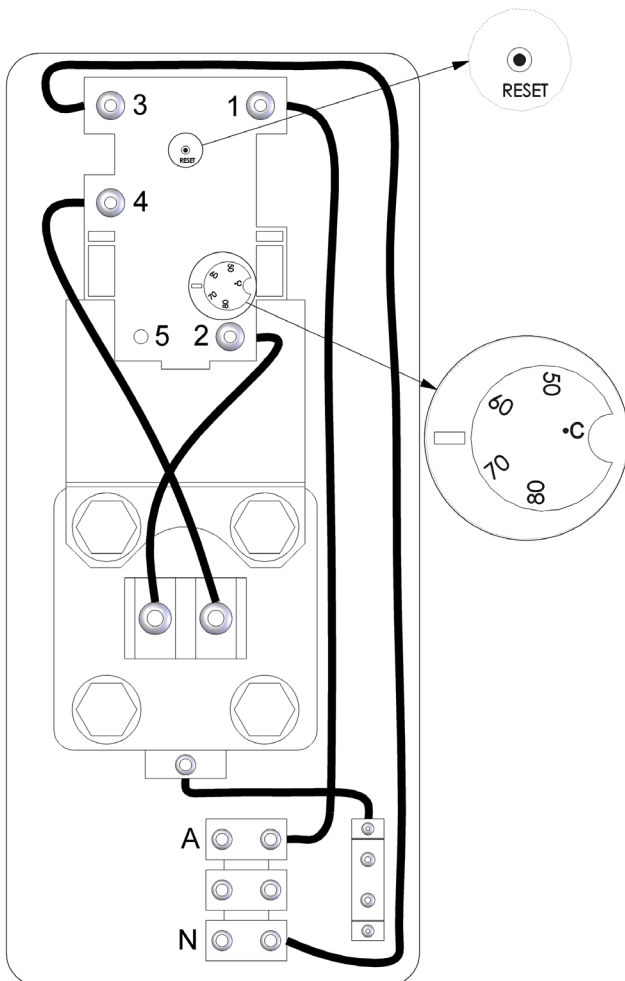
Electrical access is via a hole in the element cover for mounting with an approved electrical conduit gland. For entry to the element cover remove the two fixing screws.

Connect all LIVE, NEUTRAL and EARTH wires in accordance with the wiring diagram. Inspect and ensure all wiring links are secure prior to fixing the access cover and turning the power on.

To ensure the over-temperature and energy cutout is set press the 'reset' button on the thermostat.

The appliance is intended to be connected to cables of fixed wiring, refer table below.

## Single element wiring diagram



Cylinder element rating	Recommended fixed wire cable
2 kW	1-4 mm <sup>2</sup>
3 kW	1.5-4 mm <sup>2</sup>
3.6 kW	2.5-4 mm <sup>2</sup>

# Valves and fittings

Valves with pressure ratings other than those listed in this manual must not be used.

## Valves and fittings supplied with the cylinder

Valves and fittings supplied with the water heater are placed in the Styrofoam packaging during transit. The following valves and fittings are supplied:

- A combined Temperature and Pressure Relief Valve (TPR), this is a safety device and it is mandatory that it is fitted to the top of the cylinder by the installer in all installations.
- Two brass plugs to plug the unused hot and cold connections (215, 275, 340 L models).
- Four  $\frac{3}{4}$  MF adaptors to assist with fitting plumbing connections.
- A reducing bush to enable fitting the  $\frac{1}{2}$  " TPR valve connection to the  $\frac{3}{4}$  " cylinder connection.
- Cable gland, tested for IPX4 rating compliance, for outdoor installations this must be used.

## Installer to supply

- Cold water expansion control valve (ECV)—must be fitted
- Pressure limiting valve
- Stop cock and non-return valve, these are fitted to the cold water supply to the water heater (combination valves incorporating these functions are suitable)
- Temperature limiting device, such as a tempering valve, if required.

# Commissioning

Commissioning and draining activities must be carried out by an authorised person.

## **To fill and turn on the water heater**

1. Open all hot water taps in the house including the shower.
2. Open the cold water isolation valve to the water heater. Air will now be forced out of the taps.
3. Close each tap when the water runs freely without air bubbles.
4. Check all plumbing connections and pipe work for water leaks.
5. Switch on the electric power supply.

## **To turn off the water heater**

It may be necessary to turn off a water heater after installation and commissioning, for example during building activities or if the premises are vacant.

1. Switch off the electricity supply at the isolating switch to the water heater.
2. Close the cold water isolation valve at the inlet to the water heater.

## **To drain the water heater**

1. Turn off the water heater as above.
2. Close all the hot water taps.
3. Gently operate the TPR valve release, this will relieve the pressure in the water heater.
4. Open the drain valve—make sure no damage will occur from discharged water.
5. Operate the TPR valve again. This allows air into the water heater and will result in the water draining.

# Limited Warranty

Rinnai brings you peace of mind with a:

## 7-year warranty



This warranty applies to **Rinnai mains pressure enamel indoor outdoor cylinders** only.

All terms of the warranty, subject to the conditions below, are effective from the date of first installation. Proof of purchase and installation date will be required at the time of any warranty claim. Where the date of installation is not known or cannot be proven the warranty will commence one month after the date of manufacture—refer to the data label on the cylinder. This warranty is only valid within the country of purchase.

		<b>Residential application</b>	<b>Commercial application</b>
Cylinder only		7 years	3 years
	Labour	5 years	1 year
All other parts supplied by Rinnai (thermostats, elements, seals etc.)	Parts	1 year	1 year
	Labour	1 year	1 year

### Single residential application warranty

A residential application is defined as an installation where the water heater, with the thermostat set below 75 °C, delivers hot water to a single family residential dwelling, not used for commercial purposes.

Examples where a residential dwelling is used for commercial purposes; hair salon, catering kitchen, communal care facility etc. These installations would be considered commercial applications. An exception would be an accommodation business such as a motel, where the water heater serves the equivalent of a single family dwelling, this would be a residential application.

### Commercial application warranty

For constant use applications such as, but not limited to these, underfloor heating and circulating ring mains. The cylinder must be sized and installed according to written guidelines from Rinnai.

### General warranty terms

Rinnai reserves the right to make modifications and change specifications and its parts without notice.

For the purposes of the Consumer Guarantees Act 1993, Rinnai only guarantees the availability of repair facilities and spare parts for the express warranty periods recorded in the Rinnai warranty summary table.

If the cylinder is being acquired for personal, domestic or household use, this warranty does not limit any consumer rights or guarantees that may apply under the Consumer Guarantees Act 1993. If the product is being acquired for the purposes of a business, the provisions of the Consumer Guarantees Act 1993 do not apply and no other warranties (either express or implied by law) apart from those stated in this warranty apply.



## Warranty terms and conditions

1. All terms of this warranty are effective from the date of first installation. The attending service person reserves the right to verify this date.
2. All Rinnai cylinders must be installed, commissioned, serviced, repaired and removed in accordance with the manufacturer's installation instructions, local regulations, and municipal building codes by persons authorised to do so.
3. All Rinnai cylinders must be operated and maintained in accordance with manufacturer's instructions.
4. The warranty applies only to the components supplied by Rinnai. It does not apply to components supplied by others, such as, but not limited to these, isolating valves, electrical switches, pipe work, electrical cables, and fuses.
5. Where the cylinder has not been sited in accordance with the installation instructions or installed such that normal service access is difficult, a service charge will apply. If at the discretion of the attending service person the installation is deemed illegal or access is dangerous, service will be refused. Any work required to gain reasonable access to the cylinder will be chargeable by the attending service person (for example, removal of cupboards, doors, walls, or the use of special equipment to move components, but not limited to these).
6. The cylinder warranty is for the period indicated in the summary table. Where the cylinder and/or part is replaced under warranty the balance of the original warranty will remain effective.
7. Rinnai reserve the right to transfer functional components from defective water heaters if they are suitable.
8. Rinnai reserve the right to have the installed product returned to the factory for inspection.
9. Where the cylinder is installed outside the metropolitan area or further than 40 km from a Rinnai authorised service centre, travel costs shall be the owner's responsibility.
10. Rinnai reserves the right to replace the cylinder for another type if upon inspection it is deemed another cylinder of a different construction is more suitable.

## Warranty exclusions

The following exclusions may cause the warranty to become void and will result in a service charge and costs of parts (if required).

1. Accidental damage and acts of God.
2. Failure due to abuse or misuse, improper maintenance or improper storage.
3. Failure due to incorrect or unauthorised installations.
4. Failure or damage caused by alterations, service or repair work carried out by persons other than those authorised by Rinnai.
5. Where the cylinder has failed directly or indirectly as a result of poor water quality outside the limits specified and/or used with bore or tank water.

TDS (Total Dissolved Solids)	Total Hardness CaCO <sub>3</sub>	Dissolved (free) CO <sub>2</sub>	pH	Langelier Index
Up to 600 mg/L or ppm	Up to 200 mg/L or ppm	Up to 25 mg/L or ppm	6.5-8.5	Between -1.0-0.8

6. Where it is found that there is no fault with the cylinder and the issue is related to the installation or is due to power failure.
7. Subject to any statutory provisions to the contrary, Rinnai does not accept:
  - a. liability for consequential damage or any incidental expenses resulting from any breach of the warranty.
  - b. claims for damage to building or any other consequential loss either directly or indirectly due to leaks or any other faults.

## Warranty examples in the real-world

We understand warranty information can be confusing. To help clarify what this means in the real-world we have developed some residential application scenarios to clarify what would fall within warranty and what wouldn't.

Scenario	Age of part/ cylinder	Within warranty	
Faulty thermostat	10 months	Yes	All costs covered by Rinnai.
Faulty element	3 years	No	All costs covered by the owner.
Cylinder leaks as a result of a faulty inner cylinder and causes damage to carpets and flooring	11 months	Yes/No	Cost of cylinder replacement covered by Rinnai. Consequential loss, damage to carpets and flooring, is not <sup>1</sup> .

### <sup>1</sup> Consequential losses

All cylinders are required to be installed with a drip tray, this is a mandatory requirement of the installation. If damage is caused by a leaking cylinder that has not been installed with a drip tray the owner can seek compensation through the installer or consider claiming on insurance.

# Purchase details

Record your purchase details below

ATTACH YOUR PROOF OF PURCHASE HERE: 

Retailer: \_\_\_\_\_

Retailer address: \_\_\_\_\_  
\_\_\_\_\_

Date of purchase: \_\_\_\_\_

Product details: \_\_\_\_\_  
\_\_\_\_\_

Please keep these details in a safe place for future reference.

**Register your Rinnai cylinder online** at [www.rinnai.co.nz/register/](http://www.rinnai.co.nz/register/) for service reminders, product updates and special offers—you can unsubscribe at any time.

# Installer details

Company name: \_\_\_\_\_

Installer name: \_\_\_\_\_

Address: \_\_\_\_\_  
\_\_\_\_\_

Phone: \_\_\_\_\_ Mobile: \_\_\_\_\_

Signed: \_\_\_\_\_ Date: \_\_\_\_\_

**Rinnai.co.nz**

Tel: 0800 746 624  
<http://www.youtube.com/rinnainz>  
<http://facebook.com/rinnainz>

20439-B