

Olympia Ultra Shower Mixer



PRODUCT CODE

VOP33CH

COLOUR/FINISHES

Chrome

Brushed Gunmetal (PVD)

Brushed Copper (PVD)

Brushed Nickel (PVD)

PRESSURE TYPE

All Pressures

MINIMUM PRESSURE

35kPa

MAXIMUM PRESSURE

500kPa (As per NZ Building Code AS/NZ 3500.1)

MAXIMUM TEMPERATURE

65°C

PLUMBING CONNECTION

15mm

FACEPLATE DIMENSIONS [W X H]

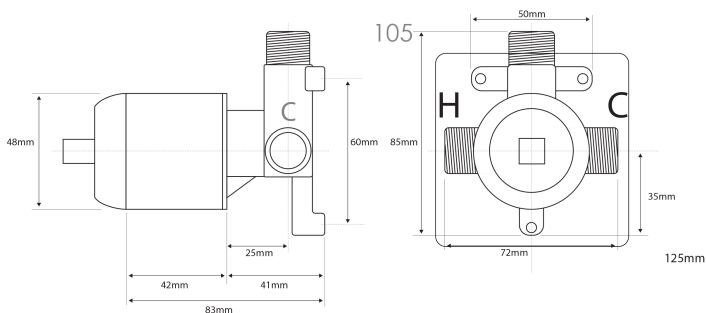
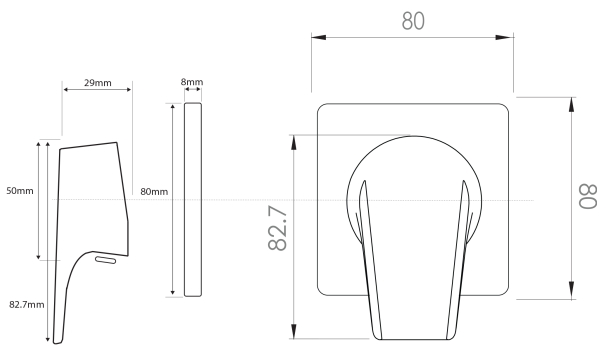
80mm x 80mm

COLOUR COAT

Physical Vapour Deposition (PVD)

CERTIFICATION

WaterMark Certified



BUILDING CODE CLAUSES RELEVANT TO THIS PRODUCT:

Clause G12 Water Supplies, specifically G12.3.5, G12.3.6, and G12.3.7.

www.vodaplumbingware.co.nz/building-code-clauses/

This product is not subject to a warning or ban under section 26 of the Building Act 2004.

Specifications and dimensions correct at time of publication however are subject to change without notice.

Please refer to physical product prior to installation.

Installation instructions for this product are available from the product page on vodaplumbingware.co.nz