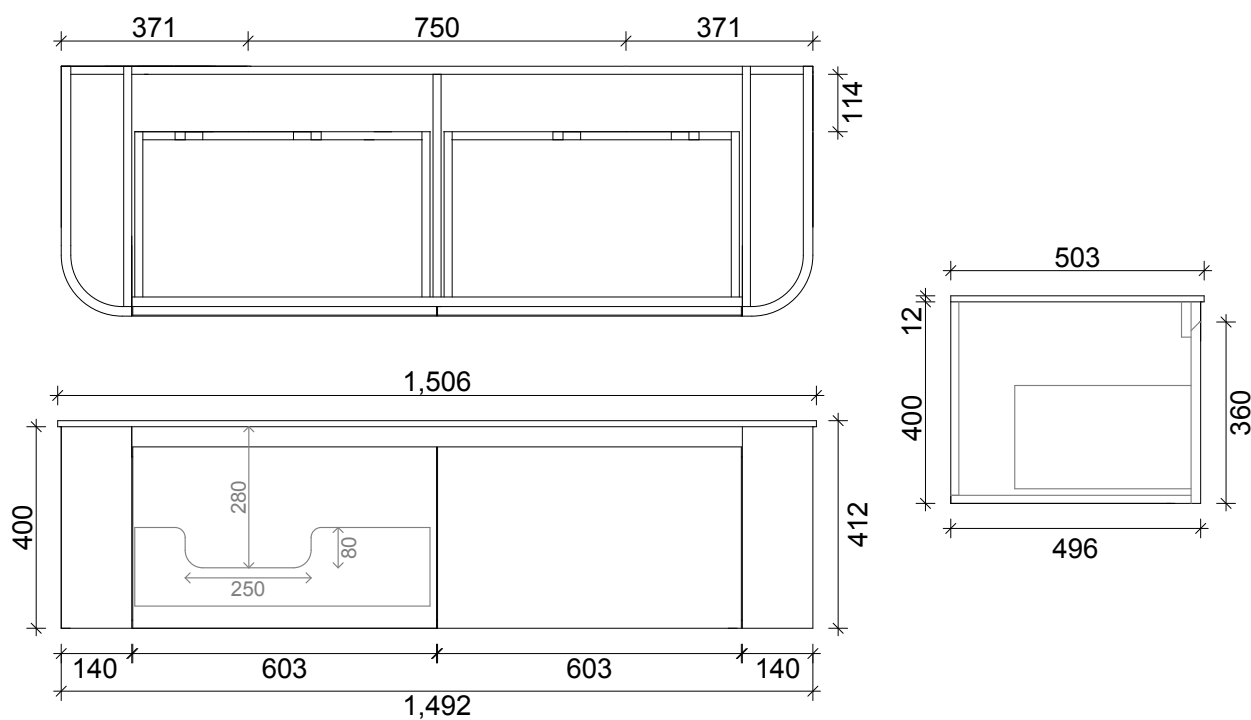


# SPECIFICATION SHEET

TONDO 1500 2 DRAW DOUBLE BASIN WALL HUNG  
SOLID SURFACE TOP



**PRIMO BATHROOMWARE**

3 EDISON PLACE

(03) 384-2471

EMAIL: [enquiries@primobathroomware.co.nz](mailto:enquiries@primobathroomware.co.nz)