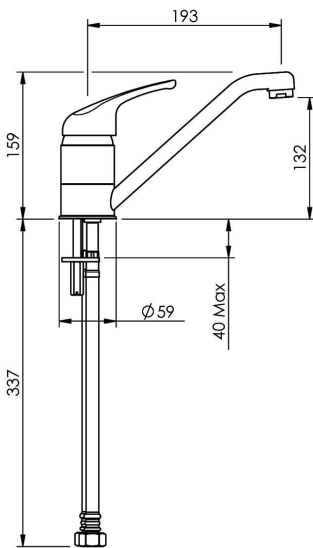


## PROMIX SINK MIXER



**CONSTRUCTION:** Brass body

**CARTRIDGE TYPE:** SP033510 ceramic cartridge **CLASSIFICATION:**

Suitable for all pressures

**INLET CONNECTIONS:** 1/2" BSP

**WORKING PRESSURE:** 35 - 1000kPa

**DIMENSIONS FOR FITTING:** 35mm diameter hole

**OPERATING TEMPERATURE:** 5 °C - 80 °C

**WATER FLOW RATE:** 9.0 l/m low pressure - 8.0 l/m high pressure

- Stainless steel flexible hoses for installation
- Flow director and aerator supplied
- Integral non-return valve present cross feeding
- Swivel spout
- Twin stud mounting
- 3 star WELS rated on mains pressure (8.0 l/min)
- 3 star WELS rated on low pressure (9.0 l/min)
- Bench top cannot exceed 40 mm thickness
- NEW handle design

PRSLSCP2

Chrome

<http://www.methven.com/nz/promix-sink-mixer>