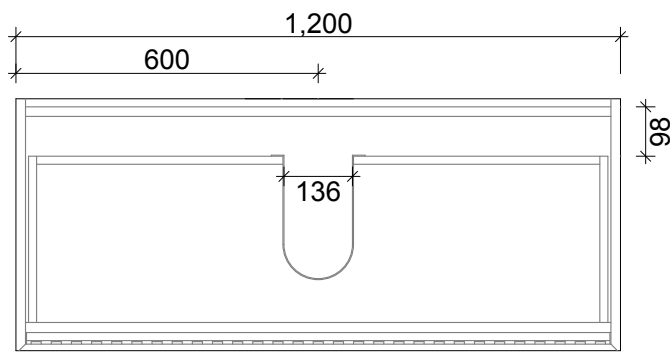


# SPECIFICATION SHEET

PLATO 1200 1 DRAW OPEN SHELF WALL HUNG  
SOLID SURFACE TOP



TOP VIEW

