

MODEL 46

FOOD WASTE DISPOSER

The entry level InSinkErator model, suitable for lighter use in smaller households.

FEATURES



Basic Sound Reduction Technology



QuickLock™ Sink Mount for easy installation



1 Stage Grinding System



0.55HP Dura-Drive™ Heavy Duty Induction Motor



Grind Chamber Capacity (980ml)



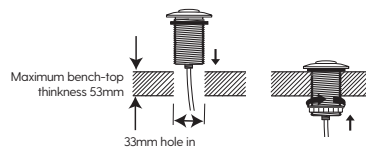
2 Year Warranty



Air Switch Kit Available (33mm hole for button)



Made in the USA



SPECIFICATIONS

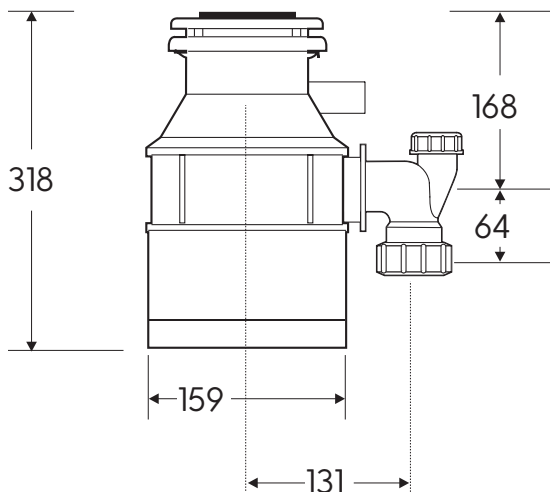
Type of Feed	Continuous
On/Off	Wall Switch
Power Supply	Single Phase
Time Rating	Intermittent
Lubrication	Permanently Lubricated Upper & Lower Bearings
Grind Technology	1-Stage Grind Technology
Sound Technology	Quiet Sink Baffle Sound Insulation

Grind Chamber Capacity	980 ml
Motor Protection	Manual Reset Overload
Average Water Usage	Approximately 4.0 L per Person per Day
Average Electrical Usage	5-6 KWH per Annum
Drain Connection	1-1/2" (3.81 cm)
Dishwasher Connection	Yes

Volts/Hz	HP	RPM
220-240V, 50 Hz	.55	1490



DIMENSIONS (MM)



insinkerator.co.nz

For more information contact Parex Industries Limited on Tel: 0800 200 510 or email: info.parex@whirlpool.com

InSinkErator reserves the right to change product specifications without prior notice. The disposer described in this leaflet is for household use; usage in commercial situations is not covered by warranty.

