

EVOLUTION[®] 100 TECHNOLOGY

Featuring two-stage grinding combined with SoundSeal™ Plus technology, the Evolution 100 is more powerful and quieter than our standard range. It virtually grinds any food waste, including difficult items such as bones and potato peel.

FEATURES



SoundSeal Plus™ Evolution Quieter Technology



0.75HP Dura-Drive™ Heavy Duty Induction Motor



MultiGrind Plus™ 2 Stage Stainless Grinding System with Auto Reverse Action



QuickLock™ Sink Mount for easy installation



Large Capacity (1005ml) Stainless Steel Grinding Chamber



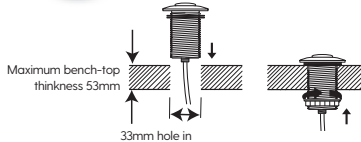
5 Year Warranty



Built-in Air Switch (33mm hole for button)



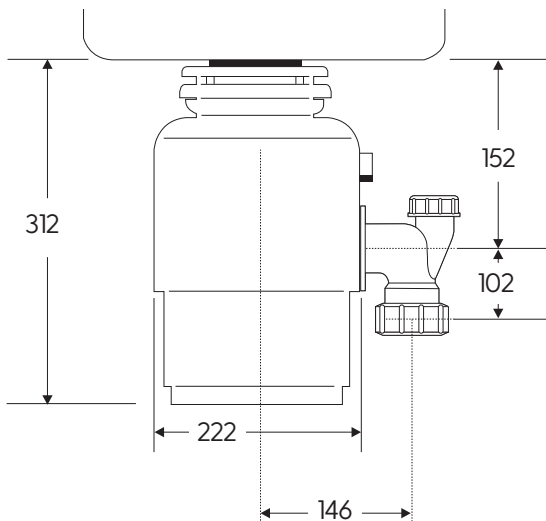
Made in the USA



SPECIFICATIONS

Type of Feed	Continuous	Sound Technology	Anti-Vibration Mounting Technology and Tailpipe
On/Off	Control Wall Switch or Built-In Air Switch		Quiet Sink Baffle
Power Supply	Single Phase		Multi-Layer Sound Insulation
Reversing	Auto-Reverse Grind System	Plug	Stainless Steel Strainer Basket and Plug
Time Rating	Intermittent		Grind Chamber Capacity
Lubrication	Permanently Lubricated Upper & Lower Bearings		1005 ml
Shipping Weight	8.8 kg (Approx.)	Motor Protection	Manual Reset Overload
Unit Finish	Black Enamel Grey TEN-1706	Average Water Usage	Approximately 4.0 L per Person per Day
Overall Height	312 mm	Average Electrical Usage	3-4 KWH per Annum
Grind Technology	2-Stage Grind Technology	Drain Connection	1-1/2" (3.81 cm) Anti-Vibration (Hose Clamp)
		Dishwasher Connection	Yes
Volts/Hz	HP	RPM	
220-240V, 50 Hz	.75	1425	

DIMENSIONS (MM)



insinkerator.co.nz

For more information contact Parex Industries Limited on Tel: 0800 200 510 or email: info.parex@whirlpool.com

InSinkErator reserves the right to change product specifications without prior notice. The disposer described in this leaflet is for household use; usage in commercial situations is not covered by warranty.

in sink erator[®]