

SPECIFICATION SHEET

Frank 750mm 1 Drawer Wall Vanity



Features

- Wall Hung
- 1 Drawer
- Stainless Steel Marco Handle
- 20mm Clasico VC Basin with Overflow
- Dimensions: H420 x W750 x D465
- Designed & Assembled in NZ

Colour Options with Code



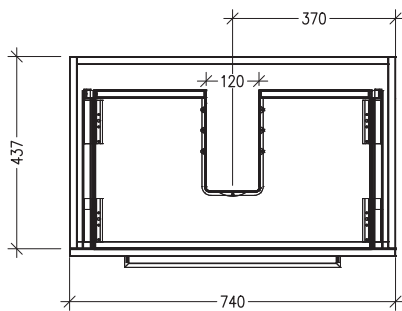
Matte White
9112MW



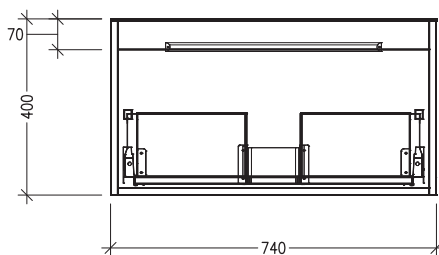
Charred Elm
9112CE

Technical Details

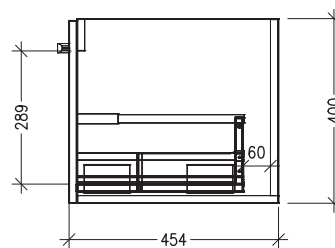
Note: All measurements shown are in millimetres. Sizes are nominal.



TOP VIEW



FRONT VIEW



SIDE VIEW

