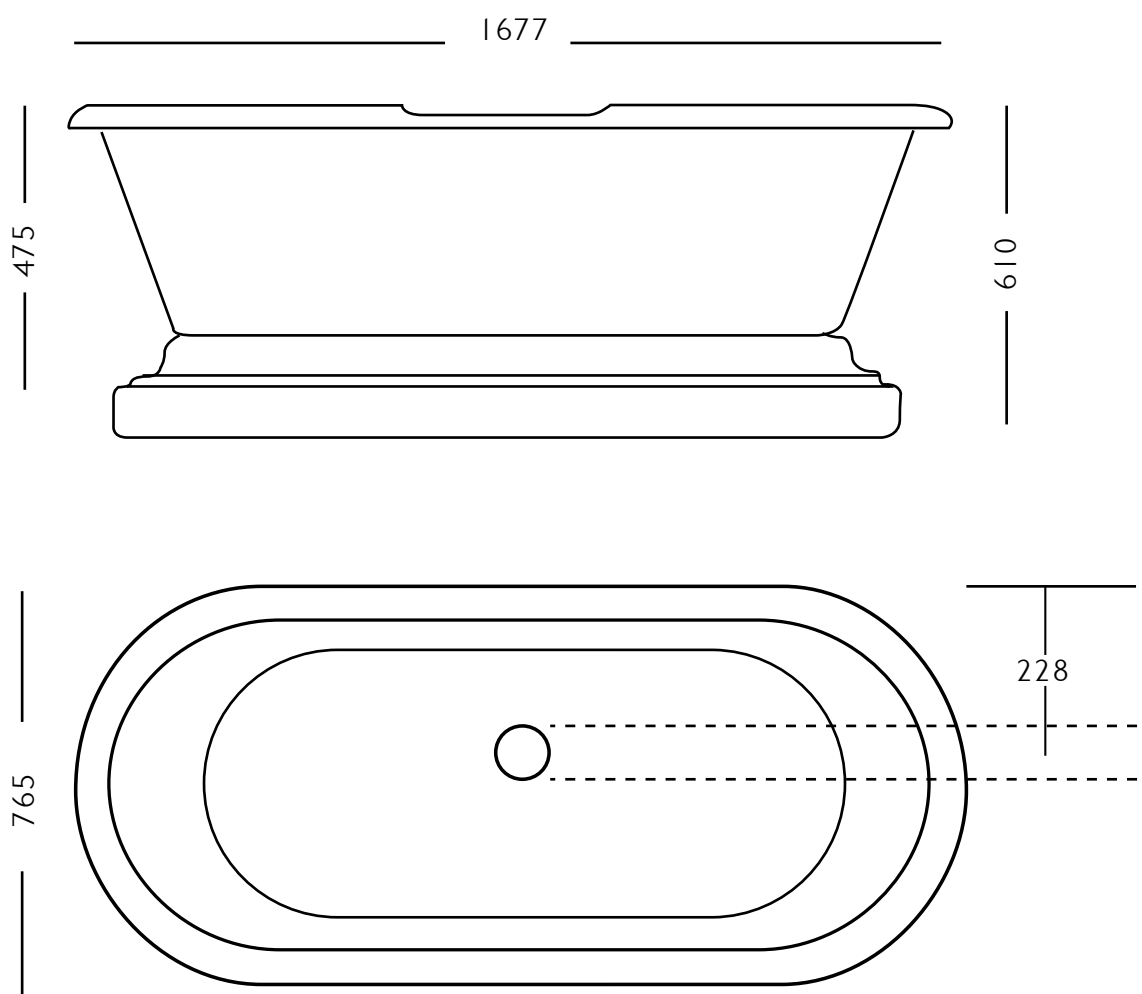


Antique Freestanding

(CIB-ATQ 1700)



Dimensions (MM)



Volume: 200 Lt
Weight (Dry): 165 Kg