

# TECHNICAL DATA SHEET



## Heated Towel Rail Radiator

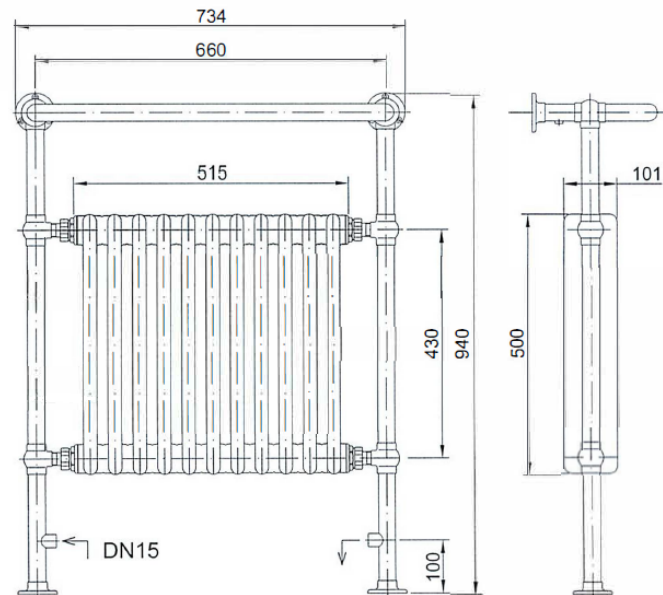
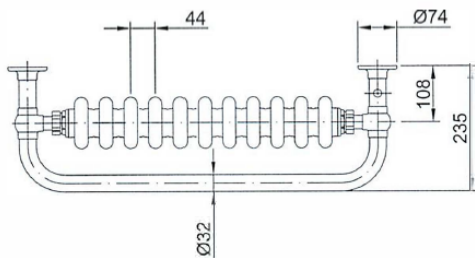
### Product Specification

<b>Product Codes &amp; Finishes:</b>	AHC73 (Chrome/White) AHA73 (Vintage Gold/White)
<b>Product Type:</b>	Classic, Nickel, Pewter, Antique Copper,
<b>Construction:</b>	Rubbed Bronze
<b>Supply:</b>	Body is of Steel Construction and is designed to conform to BS EN 442
<b>Output:</b>	Suitable for closed central heating systems
<b>Valve Centres:</b>	2340 BTU (686 Watts)
<b>Dimensions for Fitting:</b>	600mm 940 (H) mm, 674 (W) mm, 128 (D) mm



### Additional Information

- Chrome Plated to BS EN 248
- Includes Valves in Chrome & Gold Finish
- Suitable for Duel Fuel Installation



**Technical Advice:** For further information please call 1800 111 566 or email [sales@castironbaths.com.au](mailto:sales@castironbaths.com.au)

**Guarantee:** 5 Year Guarantee covering manufacturing faults.



Castironbaths.com.au 4/37 North Link Place, Virginia, Qld Telephone: 1800 111 566 Fax 07 3266 5233

Web Site: [www.castironbaths.com.au](http://www.castironbaths.com.au) Email: [sales@castironbaths.com.au](mailto:sales@castironbaths.com.au)

The information contained on this page was correct at date of issue. Fitting dimensions are provided as a guide only. Some variation may occur due to manufacturing tolerances. Castironbaths pursues a policy of continuing improvement in design and performance of its products and so reserves the right to change specifications without prior notice.