

TECHNICAL DATA SHEET

Heated Towel Rail Two Ladder

Product Specification

| | |
|--------------------------------|--|
| Product Code: | AHC74 |
| Finish: | Chrome, Nickel, Pewter, Gold, |
| Product Type: | Antique Copper, Rubbed Bronze |
| Construction: | Traditional |
| Supply: | Steel & is designed to conform to BS EN 442 Suitable for closed central heating systems |
| Valve Centres: | 385mm |
| Wall to valve centre: | 115mm |
| Output: | 774 BTU (227 Watts) |
| Dimensions for fitting: | Height: 915mm Width: 610mm |

Additional Information

- AHC74 is Chrome plated to BS EN 248.
- Suitable for closed central heating systems only
- Includes valves in Chrome

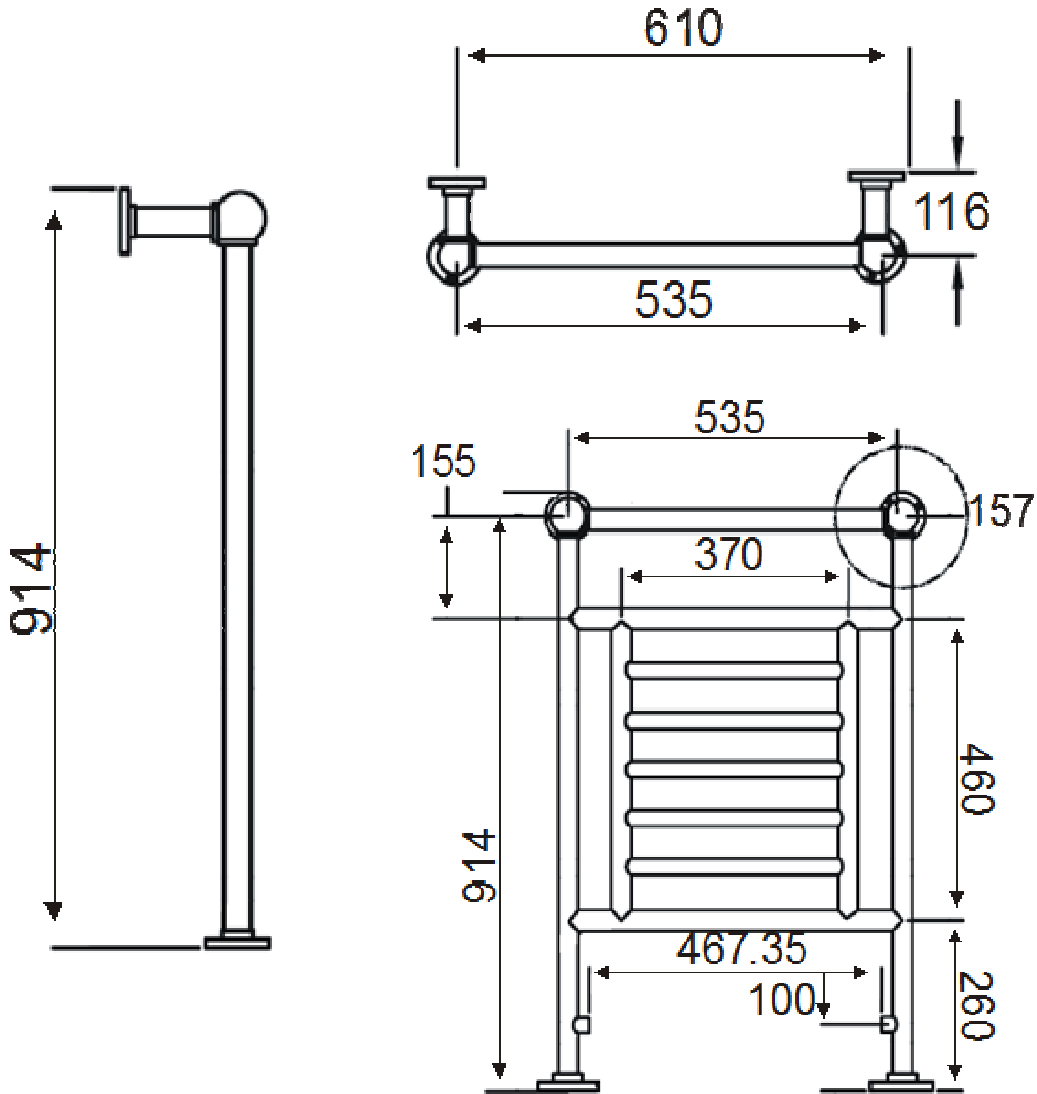
Technical Advice: For further information please call 1800 111 566 or email sales@castironbaths.com.au

Guarantee: 5 years covering manufacturing faults.



TECHNICAL DATA SHEET

Wall Heated Towel Rail



Technical Advice:

For further information please call 1800 111 566 or email sales@castironbaths.com.au

Guarantee:

5 years covering manufacturing faults.

Web Site: www.castironbaths.com.au Email: sales@castironbaths.com.au

