

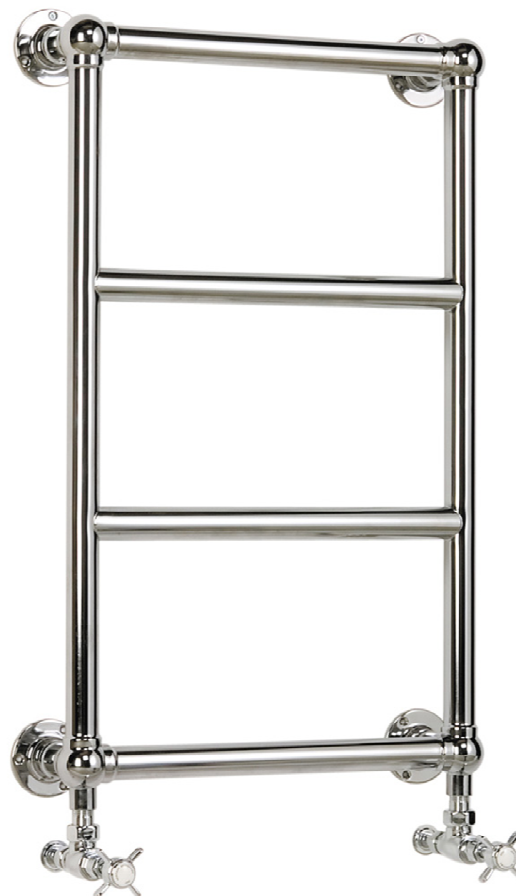
TECHNICAL DATA SHEET

Portland Wall-Hung Heated Towel Rail

Product Specification



Product Code:	AHC94
Finish:	Chrome, Nickel, Pewter, Antique
Product Type:	Copper, Gold, Bronze
Construction:	Traditional
Supply:	Steel & is designed to conform to BS EN 442 Suitable for closed central heating systems
Valve Centres:	400mm
Wall to valve centre:	80mm
Output:	474 BTU (139 Watts)
Dimensions for fitting:	Height: 750mm Width: 475mm



Additional Information

- AHC94 is Chrome plated to BS EN 248.
- Suitable for closed central heating systems only
- Includes valves in Chrome
- Wall mounted rail ideal for use in cloakrooms & ensuites

Technical Advice: For further information please call 1800 111 566 or email sales@castironbaths.com.au

Guarantee: 5 years Covering manufacturing faults.

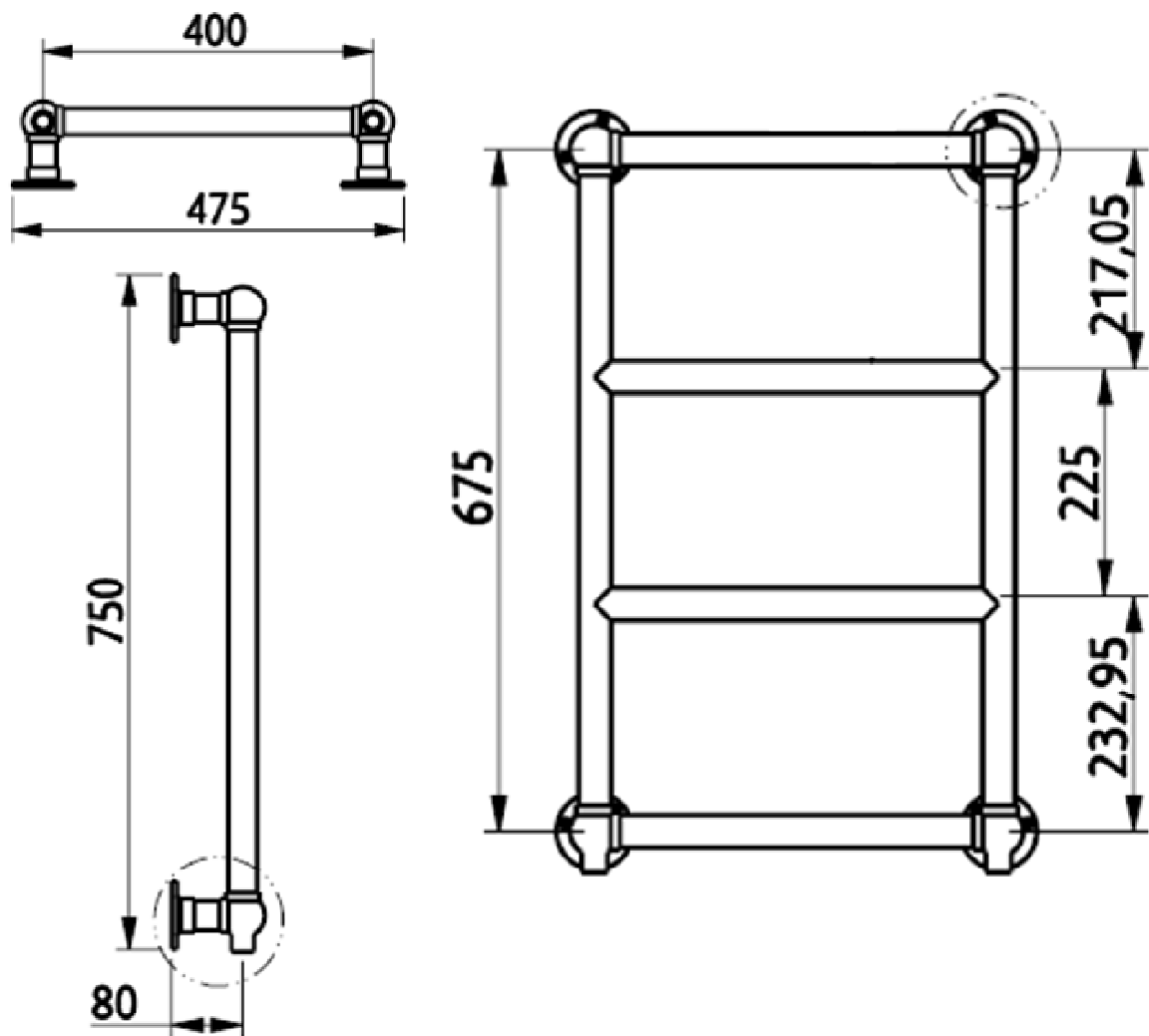
Castironbaths.com.au 4/37 North Link Place Virginia, Queensland Telephone: 1800 111 566 Facsimile:07 3266 5233
Web Site: www.castironbaths.com.au Email: www.castironbaths.com.au



The information contained on this page was correct at date of issue. Fitting dimensions are provided as a guide only. Some variation may occur due to manufacturing tolerances. Castironbaths.com.au pursues a policy of continuing improvement in design and performance of its products and so reserves the right to change specifications without prior notice.

TECHNICAL DATA SHEET

Portland Wall-Hung Heated Towel Rail



Technical Advice:

For further information please call 1800 111 566 or email sales@castironbaths.com.au

Guarantee:

5 years covering manufacturing faults.

Web Site: www.castironbaths.com.au Email: sales@castironbaths.com.au



The information contained on this page was correct at date of issue. Fitting dimensions are provided as a guide only. Some variation may occur due to manufacturing tolerances. Castironbaths pursues a policy of continuing improvement in design and performance of its products and so reserves the right to change specifications without prior notice.