

CARE AND MAINTENANCE

Cleaning Frequency

Before and after long term storage. When the rifle has been subjected to adverse conditions such as shooting in the rain, snow, sleet or saltwater areas. When the rifle is exposed to dirty conditions such as lying on the ground outdoors, being dropped in mud, etc. Clean and lubricate the chassis assembly as a unit. Place a drop of oil in each of the following points (see exploded view diagram): sling swivel stud, magazine lock pin, action screw, pistol grip screw.

NOTE: While the LSS Chassis has been designed and manufactured to provide superior corrosion protection, only proper care will keep your firearm in good operating condition and maintain its appearance. After extensive use, the protective coating on plated parts may be worn sufficiently to reduce corrosion protection. Such worn parts should be recoated or replaced to assure the integrity of the corrosion protection.

WARNING! After each use, follow the lubrication and maintenance direction in rifle instruction book. If the firearm is immersed in water, it must be thoroughly cleaned and lubricated as soon as possible. In case of saltwater immersion, first flush all parts with fresh water, then dry, clean and lubricate the firearm. If the firearm does not function properly, have it corrected by a gunsmith before further use. Failure to follow this warning may lead to firearm malfunctions which could result in serious personal injuries or death.

CUSTOMER WARRANTY

We provide a 100% satisfaction guarantee on our products. If you receive any of our products and are not completely satisfied, you can return it to us within 30 days for a 100% refund of the product.

All our products come with **lifetime support** against defects.

PERFORMING MODIFICATIONS/ALTERATIONS TO THE PRODUCT WILL VOID ITS WARRANTY.

IMPORTANT:

MDT Corp. SHALL NOT BE RESPONSIBLE IN ANY MANNER WHATSOEVER FOR INJURY, DEATH OR DAMAGE TO PROPERTY AS A RESULT OF THE INTENTIONAL OR ACCIDENTAL MISUSE OF THIS PRODUCT, OR FROM ITS PROPER FUNCTION WHEN THE PRODUCT IS USED FOR PURPOSES FOR WHICH IT WAS NOT DESIGNED.

PROBLEMS AND WARRANTY CLAIMS:

If you experience a problem with your chassis system, please first call us or initiate a service ticket through our website

MDT will repair, or replace the parts, at our own discretion. Warranty claims should state the model of the product concerned, all necessary email and voice contact information, and a description of the difficulty experienced.

MDT will accept no responsibility for loss or damage in transit. MDT will pay shipping and insurance charges for return to the owner ONLY if the claim is covered by the warranty. MDT will send you an estimate for the cost of any non-warranty repairs prior to performing repair services.

THIS WARRANTY IS EXCLUSIVE AND IS IN LIEU OF ANY AND ALL OTHER WARRANTIES, EXPRESSED OR IMPLIED. NO IMPLIED WARRANTIES OF MERCHANTABILITY OR FITNESS FOR A PARTICULAR PURPOSE ARE GIVEN AND ANY AND ALL LIABILITY FOR BREACH OF ANY IMPLIED WARRANTY OR WARRANTY CREATED BY LAW IS DISCLAIMED.

Some provinces do not allow limitations on how long an implied warranty lasts, so the above limitation may not apply to you.

UNDER NO CIRCUMSTANCES SHALL MDT Corp. BE LIABLE FOR INCIDENTAL OR CONSEQUENTIAL DAMAGES WITH RESPECT TO ECONOMIC LOSS, INJURY, DEATH OR PROPERTY DAMAGE, WHETHER AS A RESULT OF BREACH OF THIS WARRANTY, NEGLIGENCE OR OTHERWISE.

Some provinces do not allow the exclusion or limitation of incidental or consequential damages, so the above limitation or exclusion may not apply to you in whole or in part. This warranty gives you specific legal rights. You may also have other rights that vary from province to province.



LSS | HS3 OWNERS MANUAL



CONSULT YOUR RIFLE OWNER'S MANUAL FOR DISASSEMBLY.



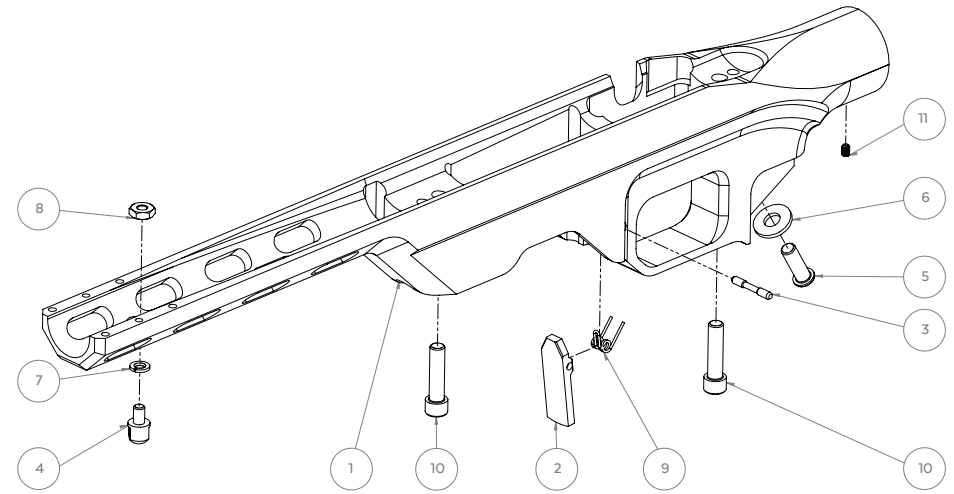
MDT

Chilliwack, BC | Sumas, WA
604 393 0800
mdttac.com

ITEM	DESCRIPTION	QTY	NOTES
1	MDT CHASSIS, LSS	1	RIGHT HAND / LEFT HAND
2	MAGAZINE LOCK LEVER	1	
3	MAGAZINE LOCK PIN	1	
4	SLING SWIVEL STUD	1	
5	PISTOL GRIP SCREW	1	
6	M7 DISC SPRING WASHER	1	
7	M5 DISC SPRING WASHER	1	
8	M5-0.8 JAM NUT	1	
9	MAGAZINE LOCK LEVER SPRING	1	
10	ACTION SCREW	2	LENGTH & THREAD SIZE / PITCH WILL VARY DEPENDING ON RIFLE
11	#6-32 X 3/16" SET SCREW	1	ENSURE THIS IS BACKED OFF PRIOR TO BUTTSTOCK INSTALLATION
12	RECOIL LUG (NOT SHOWN)	>	TIKKA (QTY: 1) / RUGER AMERICAN (QTY: 2) CHASSIS ONLY
13	AR15 MAGAZINE CATCH (NOT SHOWN)	1	MOSSBERG CHASSIS ONLY
14	AR15 MAGAZINE CATCH SPRING (NOT SHOWN)	1	MOSSBERG CHASSIS ONLY
15	AR15 MAGAZINE RELEASE BUTTON (NOT SHOWN)	1	MOSSBERG CHASSIS ONLY
16	MAGAZINE STOP (NOT SHOWN)	>	REMINGTON 700 LA (QTY: 2), REMINGTON 783 SA (QTY: 1), RUGER AMERICAN (QTY: 1) CHASSIS ONLY
17	FRONT ACTION SCREW WASHER (NOT SHOWN)	1	SAVAGE SA CHASSIS ONLY

LSS CHASSIS

PLATFORM SHOWN: REMINGTON 700 SHORT ACTION

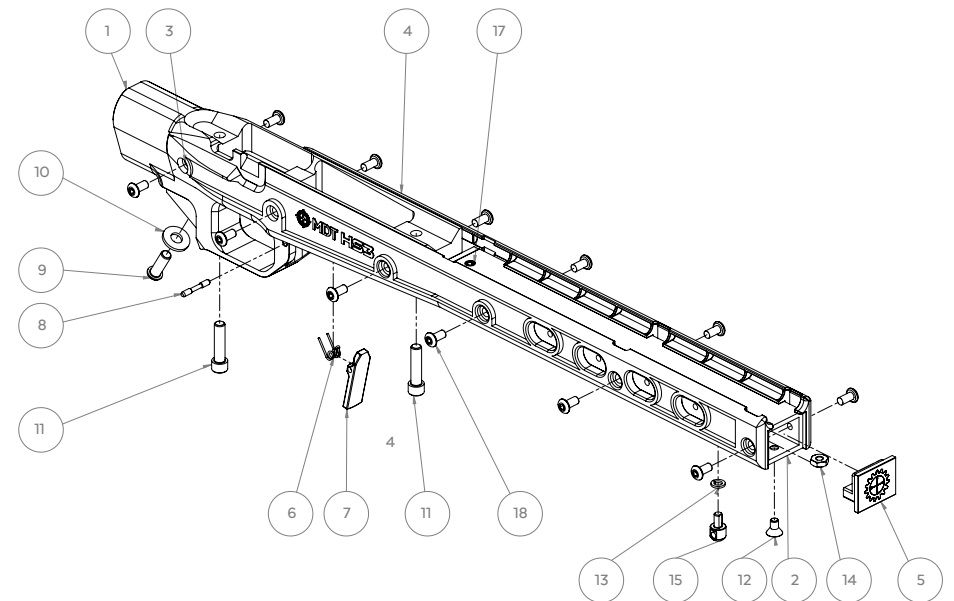


videos: mdttac.com/LSS

ITEM	DESCRIPTION	QTY	NOTES
1	HS3 CHASSIS BODY	1	
2	HS3 CHASSIS FORE-END	1	
3	HS3 POLYMER SIDE, RIGHT	1	
4	HS3 POLYMER SIDE, LEFT	1	
5	HS3 CHASSIS FRONT PLUG	1	
6	MAGAZINE LOCK LEVER SPRING	1	
7	MAGAZINE LOCK LEVER	1	
8	MAGAZINE LOCK PIN	1	
9	PISTOL GRIP SCREW	1	
10	M7 DISC SPRING WASHER	1	
11	ACTION SCREW	2	LENGTH & THREAD SIZE / PITCH WILL VARY DEPENDING ON RIFLE
12	#10-32 FRONT PLUG SCREW	1	
13	M5 DISC SPRING WASHER	1	
14	M5-0.8 JAM NUT	1	
15	SLING SWIVEL STUD	1	
16	1/4" x 11/4" SPRING COIL PIN	1	PERMANENT FIXING
17	1/4" x 1" SPRING COIL PIN	1	PERMANENT FIXING
18	#10-32 POLYMER SIDE PANEL SCREWS	12	
19	RECOIL LUG (NOT SHOWN)	1	TIKKA CHASSIS ONLY
20	MAG STOP	2	REMINGTON 700 LA CHASSIS ONLY
21	FRONT ACTION SCREW WASHER (NOT SHOWN)	1	SAVAGE SA CHASSIS ONLY

HS3 CHASSIS

PLATFORM SHOWN: REMINGTON 700 SHORT ACTION



videos: mdttac.com/HS3

THANK YOU FOR CHOOSING THE MDT LSS RIFLE CHASSIS

Our tactical light weight chassis series is specialized design providing a combination of bench-rest accuracy and superior ergonomics.

The drop-in chassis serves as a base to which the operator can add tactical components according to the desired functionality. The LSS is manufactured out of 6061 aluminum and finished with Cerakote. The HS3 is manufactured out of 6061 aluminum, anodized to mil-spec Type III and fitted with polymer side panels.

The LSS chassis is designed to accept collapsible AR-15 butt-stocks and pistol grips. The basic kit does not include butt-stock and pistol grip, offering the option to customize from the wide variety available on the market.

The chassis uses AICS pattern magazine in .223 and .308, 300WM and 338LM calibers, and supports installation of bolt on MIL-STN-1913 accessory mounting rails on the bottom of fore-end. Mounting holes are spaced for Magpul style L5 (11 slots) and L3 (7 slots) rails (1.600" / 3.200") or the MDT aluminum rails.

The LSS chassis is engineered to eliminate warping and distortion. The rifle receiver only makes contact with the LSS chassis on the V-shape bedding area and the recoil lug mating surface area insuring the best accuracy and repeatability. The barrel channel is designed to fully free-float factory standard and target/varmint barrels..

SAFETY RULES

1. RULE: ALWAYS KEEP THE MUZZLE POINTED IN A SAFE DIRECTION. NEVER POINT A FIREARM AT SOMETHING THAT IS NOT SAFE TO SHOOT AT!

This is one of the most important gun safety rules. A safe direction is one in which an accidental discharge will not cause injury to yourself or others. Never allow your gun to point at anything you don't intend to shoot. Never let the muzzle of a firearm point at any part of your body or at another person. Never look into the muzzle or change tubes on a loaded gun, even with safety engaged. Treat every gun as if it were loaded. To be sure that the gun is empty, open the chamber and check. And make it a habit to know where your muzzle is pointed at all times, even when your firearm is unloaded. No one will be injured by an accidental discharge if you keep your firearm pointed in a safe direction. It's as simple as that.

2. RULE: FIREARMS SHOULD BE UNLOADED WHEN NOT ACTUALLY IN USE.

Load your firearm only when you're in the field or on the target range and ready to fire. Never let a loaded gun out of your sight or out of your hands. Unload it as soon as you're finished shooting. Before handling a firearm or passing it to someone else, visually check the chamber, receiver and magazine to be certain they do not contain ammunition. Always keep the gun's action open when not in use. Never assume a gun is unloaded even if you were the last person to use it. Always check for yourself. Let common sense rule when you carry a loaded gun. If you are in any situation that could risk accidental discharge - such as crossing a fence, wading through a stream, or climbing a tree - always unload your gun. Never pull or push a loaded firearm toward yourself or another person. Never carry a loaded gun in a scabbard, detached holster or gun case. Safe storage of firearms is just as critical as safe handling.

Never store guns loaded and be sure to keep your firearms in a secure place where no one can get access to them without your knowledge. Ammunition should be stored and locked in a location separate from your firearms. Never leave an unsecured firearm or ammunition in a closet, dresser drawer or under the bed. Remember, it is your responsibility to make sure that children and others unfamiliar with firearms cannot get access to your firearms and ammunition.

3. RULE: DON'T RELY ON YOUR GUN'S SAFETY. SAFETY DEVICES ARE NOT A SUBSTITUTE FOR SAFE HANDLING PROCEDURES.

Treat every gun as if it can fire at any time, whether or not there's pressure on the trigger. Your firearm has been carefully designed to maximize performance and safety. However, a gun's safety is a mechanical device and, like any mechanical device, it could fail. Human error is a more likely reason for a gun safety to fail. A safety is not a substitute for common sense. It's merely a supplement to your proper handling of a firearm. Don't touch the trigger on a firearm until you are ready to shoot. Keep your fingers away from the trigger when you're loading or unloading. Do not pull the trigger when the safety is engaged or positioned anywhere between safe and fire. Never rely solely on a safety device to prevent an accident. It is imperative that you know and use the safety features of the particular firearm you are handling.

4. RULE: BE SURE OF YOUR TARGET AND WHAT'S BEYOND IT. NEVER SHOOT AT WATER OR AT A HARD SURFACE.

Shooting at the surface of water or at a rock or other hard surface increases the chance of ricochets or fragmentation of the bullet or shot, which can result in the projectile striking an unintended or peripheral target. You can not stop a shot in mid-air, so do not fire unless you know exactly where your shot is going and what it will strike. Never fire at a sound, a movement or a patch of color. Before you pull the trigger, be absolutely sure of your target and what is behind it. Make sure your shot has a backstop such as a hillside or dense material like sand.

5. RULE: USE PROPER AMMUNITION. BE CERTAIN THAT EACH ROUND YOU USE IS IN THE PROPER CALIBER OR GAUGE AND TYPE FOR THE PARTICULAR FIREARM.

Every firearm is designed to use a certain caliber or gauge of ammunition. Using the wrong ammunition, mixing ammunition or using improperly reloaded ammunition can cause serious personal injury or death. Always read and heed the instructions on ammunition boxes. Check all ammunition before you load it to make sure it matches your gun's requirements. Every cartridge and shell is head-stamped with its caliber or gauge for easy identification.

RELOADING REQUIRES EXTRA DILIGENCE.

If you're an ammunition reloader, you are responsible for personally assuring that the loads and components of your reloaded ammunition meet your gun's factory tested standards. Never use ammunition that has been reloaded by someone else! Reloaders must observe all possible safety precautions and practices related to the proper handling of explosives. Whether you are a seasoned reloader or just starting out, you should study the subject, watch reloading demonstrations and talk to experienced reloaders.

6. RULE: LEAD WARNING

The process of reloading exposes you to environmentally hazardous materials. Lead is the most common substance in bullets and shot. It is important to

handle lead bullets and shot with extreme care. Work only in a well-ventilated area and always wash your hands after exposure and before eating. Discharging firearms in poorly ventilated areas, cleaning firearms or handling ammunition may result in exposure to lead and other substances known to cause birth defects, reproductive harm, and other serious physical injury. Have adequate ventilation at all times. Wash hands thoroughly after exposure.

7. RULE: IF YOUR GUN FAILS TO FIRE WHEN THE TRIGGER IS PULLED, HANDLE WITH CARE!

If for some reason the ammunition does not fire when you pull the trigger, stop and remember the first rule - always keep the muzzle pointed in a safe direction. Keep your face away from the breech, then put the safety on, carefully open the action, unload the firearm and dispose of the cartridge safely. Remember any time there's a shell in the chamber, your gun is loaded and ready to use. Even if you tried to shoot and your gun did not fire,

8. RULE: ALWAYS WEAR EYE AND EAR PROTECTION WHEN SHOOTING.

Your sight and hearing are at risk of injury from shooting and should be protected at all times. Wear protective shooting glasses to guard against falling shot, clay target chips, powder residue, ruptured cartridge cases and even twigs and branches in the field. Also be sure to wear eye protection when you are disassembling or cleaning a gun so that tensioned parts (like springs) and cleaning solvents don't come in contact with your eyes. Continued exposure to shooting noise can permanently damage your hearing. On the range, where shooting volume is the loudest, be sure to use the maximum protection of a headset.

9. RULE: BE SURE THE BARREL IS CLEAR OF OBSTRUCTIONS BEFORE SHOOTING.

Before loading your gun, open the action and make sure there is no ammunition in the chamber or magazine. Check the barrel for any obstructions or debris. Even a small amount of snow, mud, excess lubricant or grease in the bore can dangerously increase pressure and cause the barrel to bulge or burst when firing. Use a cleaning rod and patch to wipe away anti-rust compounds or any other residues or obstructions in the barrel. Never try to shoot out an obstruction by loading another shell and firing!

10. RULE: LEARN THE MECHANICAL AND HANDLING CHARACTERISTICS OF THE FIREARM YOU ARE USING.

Not all guns are alike. They have different mechanical characteristics that dictate how you should carry and handle them. Anyone who plans to use a firearm should first become totally familiar with the type of firearm it is and the safe handling procedures for loading, unloading, carrying, shooting and storing the firearm.

11. RULE: SHOOT SOBER!

There is one other rule that must be followed when handling firearms. In fact, respect for this rule is necessary in order to effectively practice the other rules of Firearm Safety. The rule is: *SHOOT SOBER!* Alcohol, drugs and guns are a deadly combination. Never consume anything that would even mildly impair your judgment or physical coordination when you are using a firearm. A staggering percentage of the shooting accidents that occur every year involve alcohol or drugs. Be smart. Shoot sober and stay alive.

INSTALLATION INSTRUCTIONS FOR THE MDT LSS/HS3

These instructions apply only for factory rifles, custom builds and custom actions may require fitting by a qualified gunsmith. Illustrations are for informational purposes only.

Items you will need that are not included with this kit:

Buffer tube, castle nut, butt-stock, pistol grip and magazine..

1. Before starting, read all the safety and installation instructions.
2. Check if you have all parts and tools.
3. Tools required (not included): 5/32", 3/16" 1/16" Allen wrenches, M4 Spanner wrench for castle nut.
4. Install ART5 pistol grip using 5/32 Allen wrench with ¼"-28 x 1" dome head bolt and spring washer.
5. "Optional" - Install Harris Bipod. Now the chassis will stand on its own and its ready for the butt-stock and buffer tube installation.
6. Install lock ring nut onto buffer tube.
7. Loosen the setscrew in the buffer tube receptacle (LSS only).
8. Index Buffer tube in the vertical position, tighten set screw (LSS) and tighten lock ringnut.
9. Install butt-stock on to buffer tube, now the chassis is ready for your barreled action.

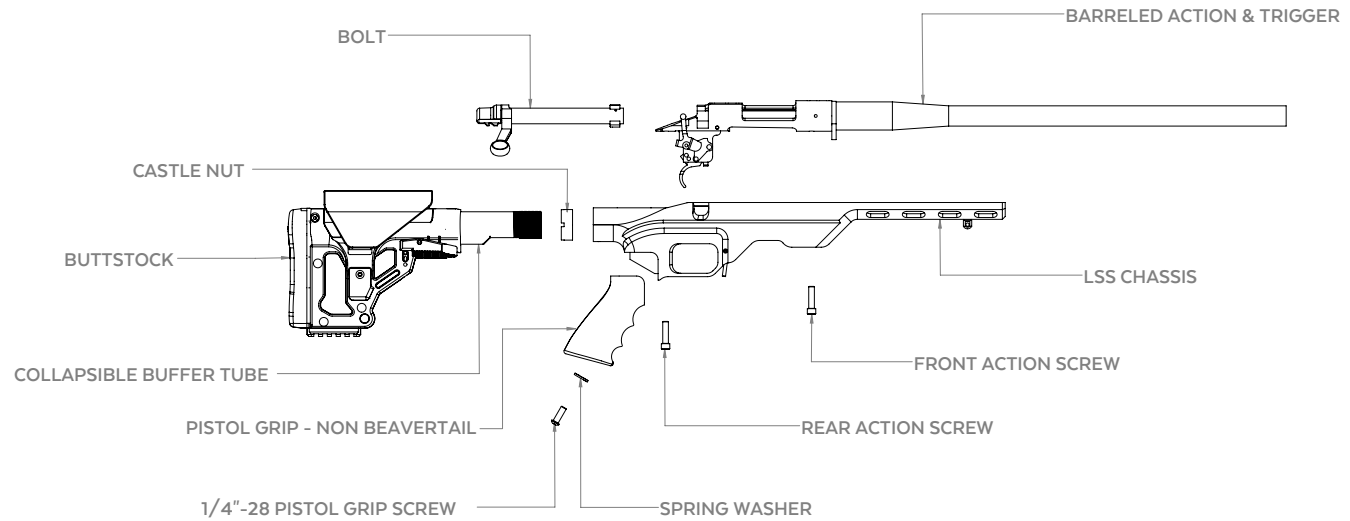
MAKE SURE YOUR RIFLE IS UNLOADED

10. Remove bolt from your rifle.
11. Remove the 2 action screws. Now you will be able to remove your barreled action from your existing stock. Your base, scope and rings can remain attached.
12. Your stock, trigger guard, magazine parts, and screws will not be re-used. The only parts needed are the barreled action and trigger.
13. Drop in your barreled action into HS3 chassis and secure with one ¼"-28 x 1¼"(LSS), 1"(HS3) long screw in front of the action and one ¼"-28 x 2" long screw in the rear of the action.
14. Slide barreled action to the rear of the HS3 chassis and torque action screws to 65 inch-pounds.
15. Install bolt, cycle and make sure to do a test to see if trigger safety is working properly.
16. Install magazine and check functionality.

You have successfully assembled your HS3 chassis system and it is ready for us!

LSS CHASSIS

PLATFORM SHOWN: REMINGTON 700 SHORT



HS3 CHASSIS

PLATFORM SHOWN: REMINGTON 700 SHORT ACTION

