

ADULT ASSEMBLY REQUIRED



WARNING: Small Parts

Product contains small parts with potentially hazardous sharp points and sharp edges in the unassembled state. Keep unassembled parts away from children.



WARNING: Tipping Hazard

This shelf has been rigorously tested to meet all tipping safety standards; however, it is **not meant** to be climbed on. Serious injury can occur with improper use.

! This is NOT a stand-alone shelf. ■ It MUST be attached to wall studs.

- Do not allow children to climb on or hang from this product
- Place product on flat, level surface only
- Do not place heavy objects on top of this product
- Keep back of this product against a flat wall
- To ensure safe use of this product, it must be securely fixed to a wall stud using the included "figure-eight" brackets
- Follow age guidelines for this product

Use and Care

Use on level surfaces only, and routinely check hardware and tighten as necessary. Failure to maintain your new product may result in unsafe conditions for children.

We build our products with years of future play in mind, so to ensure a long lifespan for your product, surface clean only with a dry soft cloth. To clean small stains, use a slightly damp cloth and if necessary, a mild detergent. Wipe all spills immediately and avoid using any abrasive cleaning agents or scrubs, including ammonia or alcohol based formulas.

For more for information on how to care for your new shelf, please visit www.miltonandgoose.com.

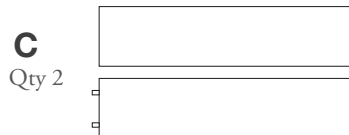
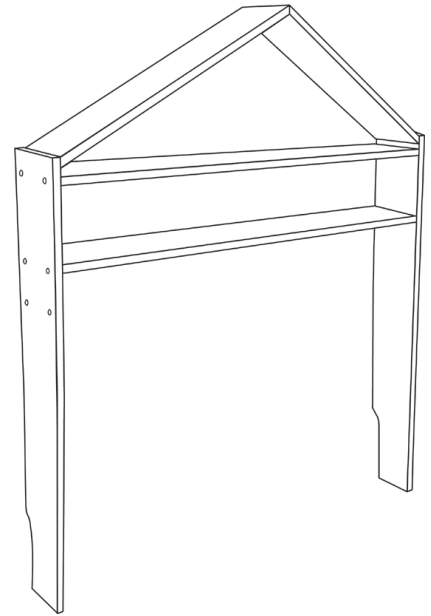
HOUSE SHELF

Tools Required

Stud Finder
Screwdriver

Parts

2 side panels (A)
2 shelves (B)
2 roof panels (C)
8 bolts (D)
4 "Figure-eight" brackets (E)
1 hex key (F)
1 bottle wood glue (G)
4 wood screws (H)



Assembly Instructions

- Upon opening package, inspect contents to make sure all parts and components are accounted for.
- Place contents on padded or carpeted surface to avoid damage.
- Read assembly instructions **on reverse** carefully.

Continued →
on reverse

ADULT ASSEMBLY REQUIRED

Step 1

Begin assembly by laying all pieces on the floor. Arrange shelf 1 and shelf 2 between left side panel and right side panel with all stickers facing ceiling and arrows pointing away from you. Identify bolt holes (holes that pass through both faces of the side pieces) and dowel holes (holes that appear only on the inner face side of the pieces).

Step 2

Beginning with the bolt holes furthest away from you, insert bolts **(D)** from outside face through the threaded inserts of shelf 1. **Do not tighten at this time.**

Step 3

Choose desired shelf height for shelf 2 and repeat Step 2. Using hex key **(F)** tighten all bolts. **(D)**

Step 4

Add a drop of wood glue **(G)** in each of the holes in the left roof panel. Fit the left and right roof panels together, making sure the fit is snug.

Step 5

Stand assembled shelf upright **without** the top piece(s). Place a drop of wood glue **(G)** into each hole in the left and right side panels where the roof dowels will fit. Gently fit the roof assembly into place, making sure the dowels are well set in the side panels and tap gently from the top until all gaps are closed.

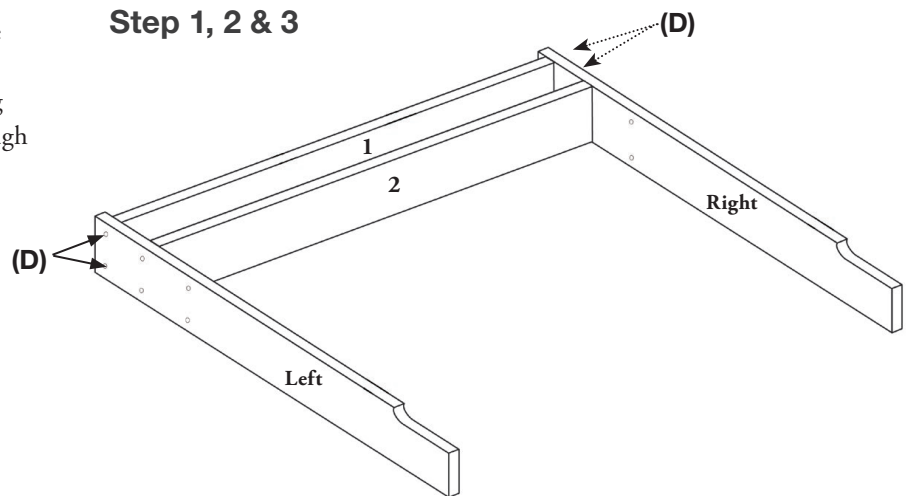
Step 6

Use a stud finder to locate studs in your wall. Use a yardstick to measure the distance between studs.

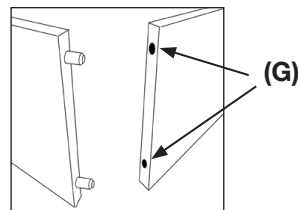
Step 7

Place the “figure-eight” brackets **(F)** on the top shelf to the appropriate holes to match the distance between wall studs and secure with screws **(H)**. Rotate the “figure-eights” so they point down. Use these to securely fasten unit to a wall.

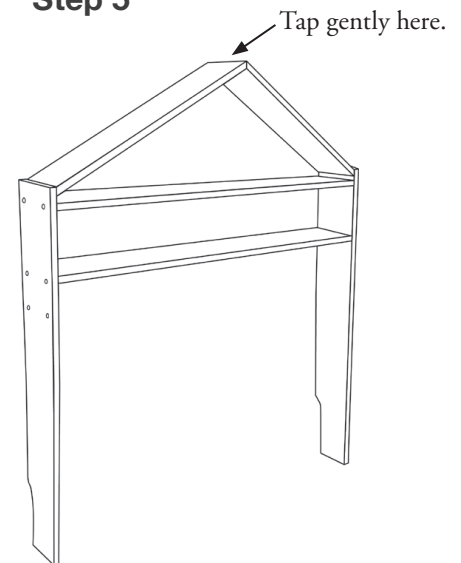
For additional stability use screws **(H)** to attach side panels to the wall using the 2 “figure-eight” brackets **(F)** on the side panels near the tapered foot.



Step 4



Step 5



Step 7

