



# Maxim™ Windshield Repair System

MAX  
\$2,495

# MAXIM



PRESSURE

VACUUM

FUSE

AIR HOSE

LAMP/CHARGER

DRILL

Simply put, this system is designed for the windshield repair specialist that demands the best. Utilizing the strongest vacuum capability in the industry and our patented PRISM™ injector with dry vacuum technology, the Maxim™ system will generate a consistently clear repair in half the time of hand operated windshield repair kits.



### Maxim™ Kit Contents

The Maxim™ is equipped with enough supplies to produce over 400-500 repairs! Packed with the most efficient self-contained vacuum/pressure mobile power station, the Maxim™ is also integrated with the Bluwave UV LED curing system, ready for any in-shop or mobile repair.



### PRISM™ Injector with Dry Vacuum Technology

Developed to make the repair process more efficient. GT Tools® PRISM™ technology uses the strong vacuum power of the Maxim™ to remove the air from the break prior to injecting the resin.

### Precision Adjustments

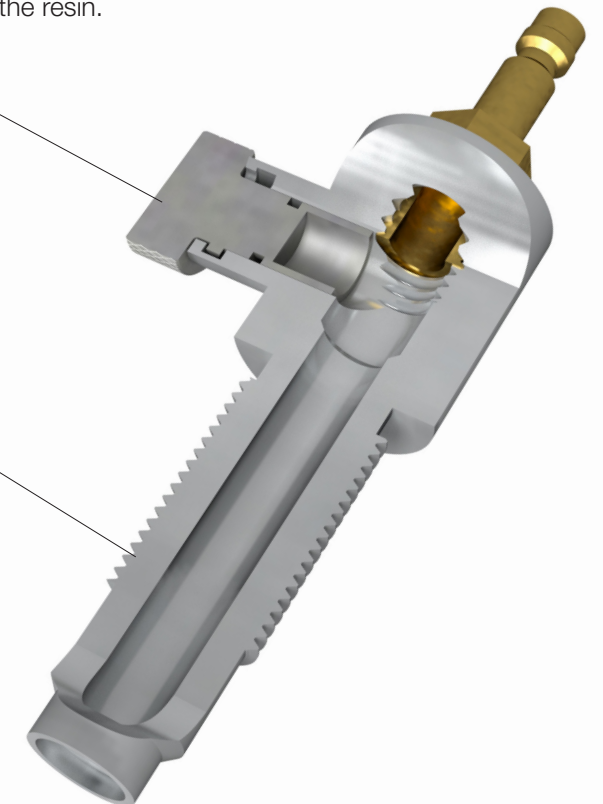
With the Maxim™ there is no guess work. Toggle switch adjustments allow the specialist to gauge exactly the correct amount of vacuum and pressure to produce a superior repair.

### Stainless Steel Injector Components

Backed by a limited lifetime warranty, the Maxim™ injectors are precision machined using 304 stainless steel materials that are designed to provide decades of reliability.

### BluWave™ advanced UV LED curing system.

This patented curing system is the industry's first and only integrated UV LED windshield repair curing system. In addition, this advanced integrated technology promotes stronger curing with all resins.



Shop [www.gtglass.com](http://www.gtglass.com)

Learn [sales@gtglass.com](mailto:sales@gtglass.com)

Contact 970-247-9374