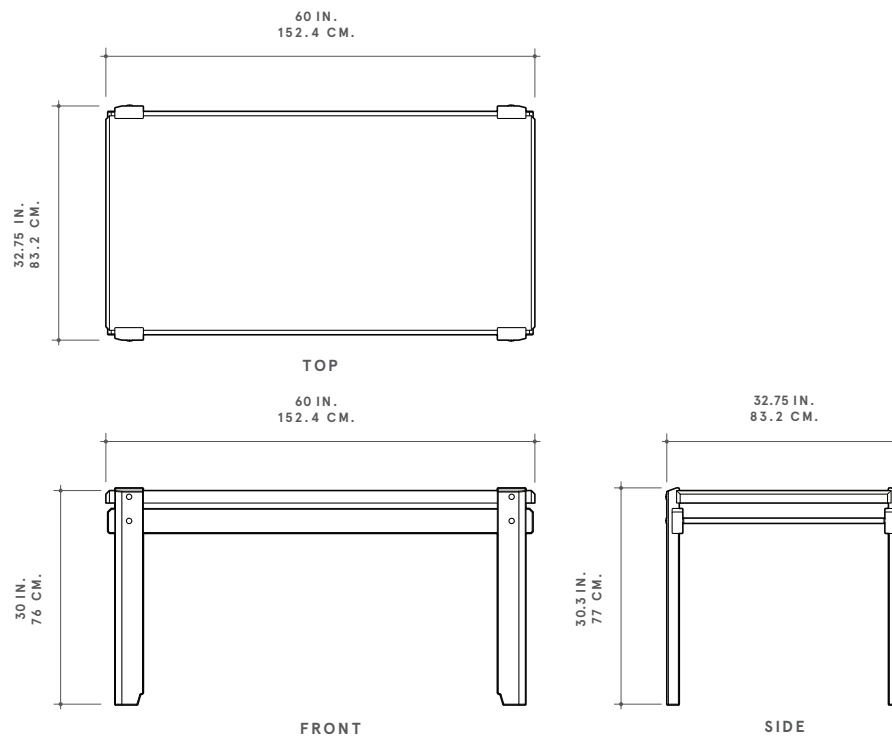




ROMAN AND WILLIAMS  
**GUILD**  
 NEW YORK



ROMAN AND WILLIAMS GUILD ORIGINAL DESIGNS  
**SKAFELD DINING TABLE**

SKAFELD TABLE DEMONSTRATES CAREFUL PROPORTION AND LURES THE EYE FROM EVERY ANGLE WITH ITS PRECISE COMPOSITION OF ARCHITECTURAL WOOD FORMS. SQUARE, HOOVED LEGS ARE NOTCHED AND GRAB ONTO THE DEBITED AND BEVELED WOOD TOP. STRETCHERS ARE LET-IN TO THE LEGS. LEGS CONSIST OF THREE PIECES OF WOOD WITH EXPOSED SPLINES AND CUSTOM HARDWARE. A FEAST OF CHAMFERS AND BEVELS PULLED TOGETHER WITH CROSSTIES. AN EXPOSED OVOID DOWEL IS TUCKED BENEATH THE SLATTED TABLETOP.

**PICTURED**  
 BLACK INKED OAK,  
 DARK BRASS HARDWARE

**FROM**  
 \$9,750

**WOOD FINISHES**

**SIGNATURE**

OAK  
 BLACK INKED  
 OXIDIZED  
 OYSTER WAXED

**DISTINCTIVE**

CLARO WALNUT  
 DANISH OIL  
 BRILLIANT POLISH  
 OLD GROWTH  
 WHITE OAK  
 SOAP  
 SPALTED MAPLE  
 OXIDIZED

**METAL FINISHES**

**SIGNATURE**

BURNISHED BRASS  
 DARK BRASS  
 BLACKENED BRASS  
 BURNISHED NICKEL  
 FRENCH SILVER

**DISTINCTIVE**

ROSE GOLD  
 PEWTER

**DIMENSIONS**

60"W x 32.75"L x 30.3"OAH  
 30" TABLE TOP HEIGHT