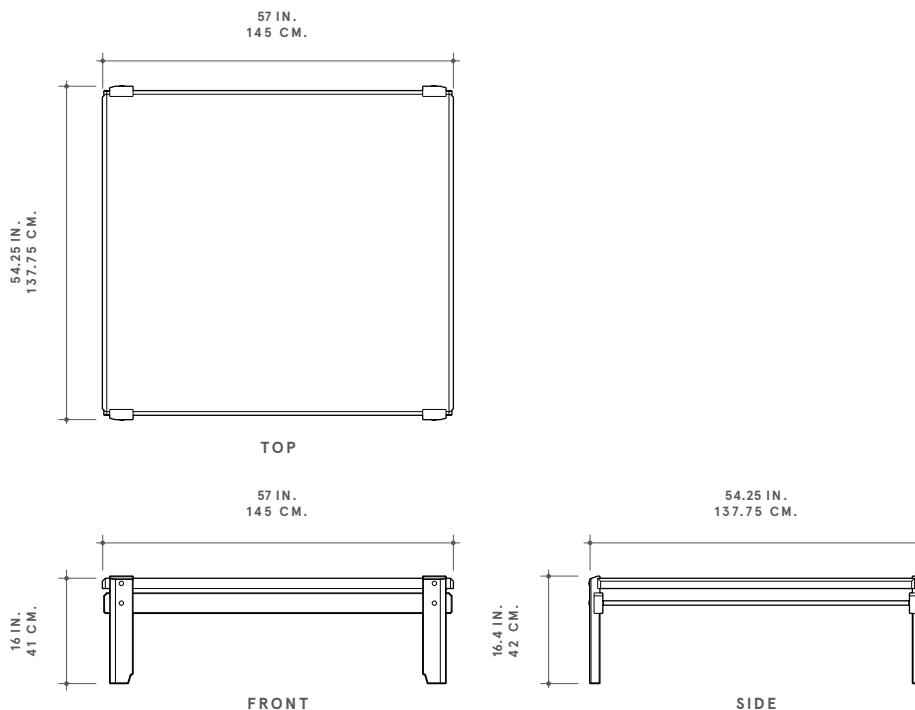




ROMAN AND WILLIAMS  
**GUILD**  
NEW YORK



ROMAN AND WILLIAMS GUILD ORIGINAL DESIGNS  
**SKAFELD COFFEE**

SKAFELD COFFEE TABLE DEMONSTRATES CAREFUL PROPORTION AND LURES THE EYE FROM EVERY ANGLE WITH ITS PRECISE COMPOSITION OF ARCHITECTURAL WOOD FORMS. SQUARE, HOOVED LEGS ARE NOTCHED AND GRAB ONTO THE DEBITED AND BEVELED WOOD TOP. STRETCHERS ARE LET-IN TO THE LEGS. LEGS CONSIST OF THREE PIECES OF WOOD WITH EXPOSED SPLINES AND CUSTOM HARDWARE. A FEAST OF CHAMFERS AND BEVELS PULLED TOGETHER WITH CROSSTIES. AN EXPOSED OVOID DOWEL IS TUCKED BENEATH THE SLATTED TABLETOP.

**PICTURED**  
SOAPED OLD GROWTH WHITE OAK, DARK BRASS HARDWARE

**FROM**  
\$9,550

**WOOD FINISHES**

**SIGNATURE**

OAK  
BLACK INKED  
OXIDIZED  
OYSTER WAXED

**DISTINCTIVE**

CLARO WALNUT  
DANISH OIL  
BRILLIANT POLISH  
  
OLD GROWTH  
WHITE OAK  
SOAP  
  
SPALTED MAPLE  
OXIDIZED

**METAL FINISHES**

**SIGNATURE**

BURNISHED BRASS  
DARK BRASS  
BLACKENED BRASS  
BURNISHED NICKEL  
FRENCH SILVER

**DISTINCTIVE**

ROSE GOLD  
PEWTER

**DIMENSIONS**

**SKAFELD COFFEE 42**  
42"W x 39.75"L x 16.5"OAH  
16" TABLE TOP HEIGHT  
  
**SKAFELD COFFEE 57**  
57"W x 54.25"L x 16.5"OAH  
16" TABLE TOP HEIGHT  
  
**SKAFELD COFFEE 60**  
60"W x 36"L x 16.5"OAH