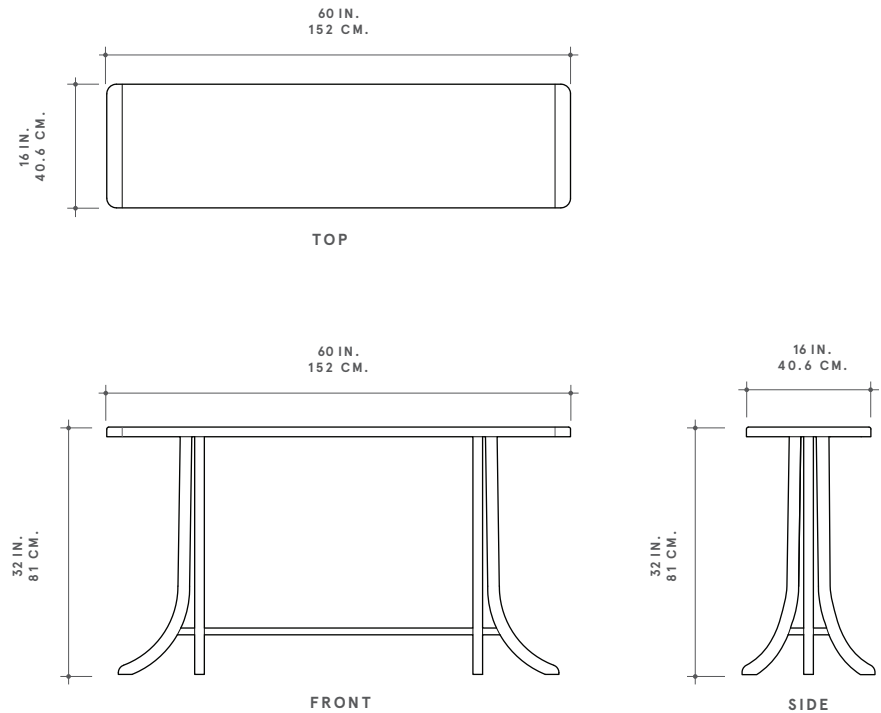




ROMAN AND WILLIAMS
GUILD
NEW YORK



ROMAN AND WILLIAMS GUILD ORIGINAL DESIGNS
ANGELICA CONSOLE

ANGELICA IS WHERE FLUIDITY MEETS MASTER WOODWORKING. REFINED AND WELL-EDITED FEATURING A SUBSTANTIAL, THICK TOP WITH BREADBOARD ENDS THAT HOLD THREE FINE PIECES OF WOOD WITH FLUSH SEAMS. MORTISED, SOLID WOOD, CURVED LEGS UNITE WITH A WOOD BRACKET AND JOIN A WOOD STRETCHER. FOR STRENGTH, TWO PIECES OF WOOD COMPRISE THE LEGS. SLIGHTLY ROUNDED EDGES CONTRIBUTION ADDITIONAL SMOOTHNESS TO THE COMPOSITION. OUR CONSOLES ARE VERSATILE WITH MANY USES, ENTRYWAY, DESK, HOME BAR, SIDEBOARD, TV STAND, AND MORE.

PICTURED
SOAPED OLD GROWTH WHITE OAK

FROM
\$3,725

WOOD FINISHES

SIGNATURE

OAK
BLACK INKED
OXIDIZED
OYSTER WAXED

DISTINCTIVE

CLARO WALNUT
DANISH OIL
BRILLIANT POLISH

OLD GROWTH WHITE OAK
SOAP

SPALTED MAPLE
OXIDIZED

DIMENSIONS

60"W x 16"L x 32"H