

ROMAN AND WILLIAMS

GUILD

NEW YORK

STEPHEN ALESCH AND ROBIN STANDEFER PRESENT

ROM OSCAR WMS 



ABOVE FINISH
BURNISHED BRASS,
GLASS SHADE

ABOVE DIMENSIONS
34" DIA X 12" H

GLASS SHADE PRICE
FROM \$5,350

METAL SHADE PRICE
FROM \$5,100

Oscar is our most versatile and popular fixture, hand crafted in a French workshop established over 150 years ago, employing historical techniques mastered over many centuries and generations. Each piece is unique, with a graceful canopy hand spun from a brass alloy that is rich in copper, resulting in a warm, nuanced finish. Within the canopy, a glass shade or metal shade diffuser are interchangeable. The hand-blown glass tablet creates a quality of light that is quietly spectacular while the metal shade offers a soft, indirect light.

Oscar is available as a Pendant, Counterweight or Flushmount in a selection of Signature and Distinctive alloys with natural finishes and bespoke glass.

FIFTY-THREE HOWARD STREET
NEW YORK, NY 10013



RWGUILD.COM | @RWGUILD
212-852-9099



BURNISHED BRASS, METAL SHADE



BURNISHED BRASS, GLASS SHADE



NEW BURNISHED BRASS



NEW BURNISHED BRASS, METAL SHADE



NEW BURNISHED BRASS, METAL SHADE, (FROM LEFT TO RIGHT) SIZES 16", 24"



FRENCH SILVER, GLASS SHADE



FRENCH SILVER, GLASS SHADE

FIFTY-THREE HOWARD STREET
NEW YORK, NY 10013



RWGUILD.COM | @RWGUILD
212-852-9099



BLACKENED BRASS, GLASS SHADE

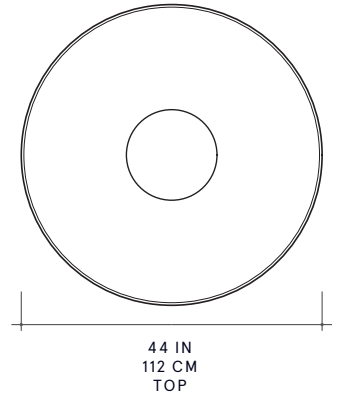
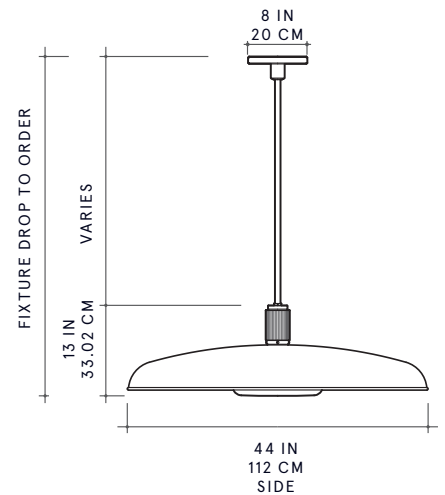
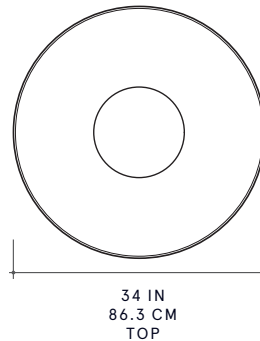
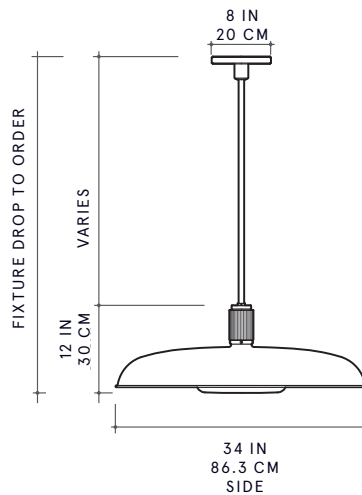
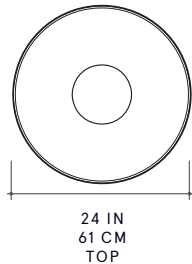
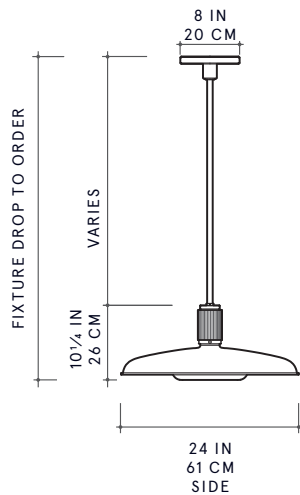
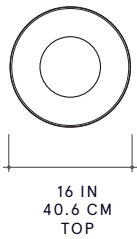
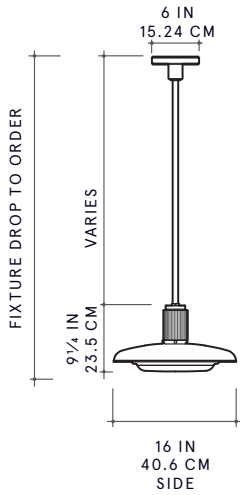


BLACKENED BRASS, GLASS SHADE



BLACKENED BRASS, (FROM LEFT TO RIGHT) SIZES 24", 16" 34"

GLASS SHADE



METAL FINISHES

SIGNATURE

BURNISHED BRASS
ETERNAL BRASS
BLACKENED BRASS

DISTINCTIVE

BURNISHED NICKEL
FRENCH SILVER
ROSE GOLD
PEWTER

GLASS COLOR

NUDE

LAMPING

SOCKET E26
SUGGESTED BULB A15
BULB QTY 1
BULB WATTAGE 60
VOLTAGE 120
UL CERTIFIED
BULBS NOT PROVIDED

DIMENSIONS

FIXTURE DROP TO ORDER

OSCAR 16
9 1/4" H x 16" DIA
MIN 13 1/2" OAH
MAX 85 1/2" OAH

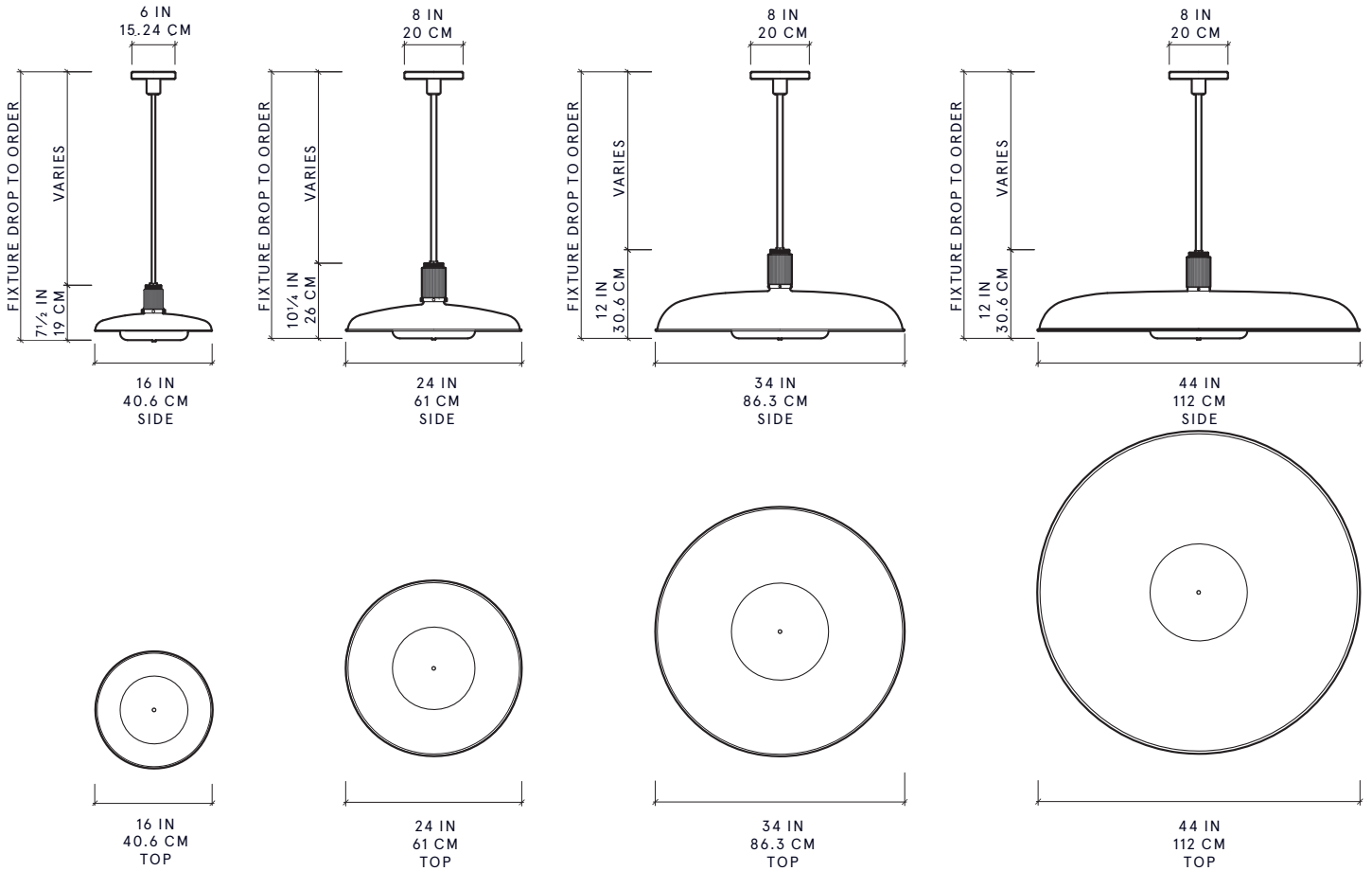
OSCAR 24
10 1/4" H x 24" DIA
MIN 13 1/2" OAH
MAX 85 1/2" OAH

OSCAR 34
12" H x 34" DIA
MIN 15 1/4" OAH
MAX 87 1/4" OAH

OSCAR 44
13" H x 44" DIA
MIN 16 1/4" OAH
MAX 88 1/4" OAH

LONGER DROPS AVAILABLE
AT SPECIAL REQUEST

METAL SHADE



METAL FINISHES

SIGNATURE

BURNISHED BRASS
ETERNAL BRASS
BLACKENED BRASS

DISTINCTIVE

BURNISHED NICKEL
FRENCH SILVER
ROSE GOLD
PEWTER

GLASS COLOR

NUDE

LAMPING

SOCKET E26
SUGGESTED BULB A15
BULB QTY 1
BULB WATTAGE 60
VOLTAGE 120
UL CERTIFIED
BULBS NOT PROVIDED

DIMENSIONS

FIXTURE DROP TO ORDER

OSCAR 16
9 1/4" H x 16" DIA
MIN 13 1/2" OAH
MAX 85 1/2" OAH

OSCAR 24
10 1/4" H x 24" DIA
MIN 13 1/2" OAH
MAX 85 1/2" OAH

OSCAR 34
12" H x 34" DIA
MIN 15 1/4" OAH
MAX 87 1/4" OAH

OSCAR 44
13" H x 44" DIA
MIN 16 1/4" OAH
MAX 88 1/4" OAH

LONGER DROPS AVAILABLE
AT SPECIAL REQUEST

ROMAN AND WILLIAMS

GUILD

NEW YORK

ABOUT THE CREATORS

STEPHEN ALESCH & ROBIN STANDEFER



Robin Standefer and Stephen Alesch are the founders and principals of Roman and Williams and RW Guild. They present a radical vision for the home and a way of living that is not just beautiful and luxurious; it is deeply connected to nature, culture, and community. Following in a tradition of makers who create forms, shapes, and ideas, every piece has a story informed by their years of work and study in the fields of architecture, film, fine art, and interior design. Each of Robin and Stephen's Original Designs is the product of deep research, exhaustive sourcing, and many stages of hand-drafting, constructing, and prototyping—quality is stubbornly uncompromising. Throughout all stages of production, each piece champions natural materials, and the master craftsmen and artisans who have dedicated their lives to proven, ancient techniques and methods. RW Guild Original Designs are about endurance and can be maintained and repaired, every piece a modern heirloom made to last for generations

FIFTY-THREE HOWARD STREET
NEW YORK, NY 10013



RWGUILD.COM | @RWGUILD
212-852-9099