

ROMAN AND WILLIAMS

**GUILD**

NEW YORK

*STEPHEN ALESCH AND ROBIN STANDEFER PRESENT*

ROM **ALABASTER ROTONDE X** WMS 



ABOVE  
BURNISHED BRASS,  
WHITE VEINED  
ALABASTER

DIMENSIONS  
10" DIA X 7" H

PRICE  
FROM \$2,350

The RW Guild Original Designs Rotonde lighting collection was originally created for the La Rotonde de la Muette in Paris. The collection grows with the larger Alabaster Rotonde X, measuring 10" inches in diameter. Its alabaster shade is carved into a graceful, scalloped shape in France by an expert artisan. Each shade is carved from a solid block of veined alabaster so no two are exactly alike. Alabaster is renowned for its translucent glow, and the Rotonde casts a warm, soft light and has a cumulative power when used in multiples.

Care instructions: As with all metal lighting, installation with fabric gloves required. Do not clean with cleaning agents or water. Dust lightly.

FIFTY-THREE HOWARD STREET  
NEW YORK, NY 10013



RWGUILD.COM | @RWGUILD  
212-852-9099



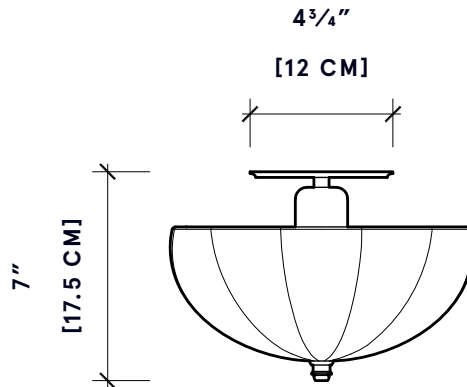
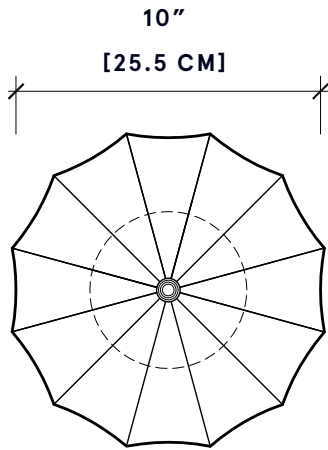
BURNISHED BRASS, WHITE VEINED ALABASTER

BURNISHED BRASS, WHITE VEINED ALABASTER



BURNISHED BRASS, WHITE VEINED ALABASTER





**METAL FINISHES**

**SIGNATURE**

BURNISHED BRASS  
BLACKENED BRASS

**DISTINCTIVE**

BURNISHED NICKEL  
FRENCH SILVER  
ROSE GOLD  
PEWTER

**ALABASTER COLORATION**

WHITE VEINED ALABASTER

**LAMPING**

**SOCKET** E26

**SUGGESTED BULB** A15

**BULB QTY** 1

**BULB WATTAGE** LED 15  
(60 WATT INCANDESCENT  
EQUIVALENT)

**VOLTAGE** 120

UL CERTIFIED

BULBS NOT PROVIDED

**DIMENSIONS**

10" DIA X 7"H



ROMAN AND WILLIAMS

# GUILD

NEW YORK

ABOUT THE CREATORS

## STEPHEN ALESCH & ROBIN STANDEFER



*Robin Standefer and Stephen Alesch are the founders and principals of Roman and Williams and RW Guild. They present a radical vision for the home and a way of living that is not just beautiful and luxurious; it is deeply connected to nature, culture, and community. Following in a tradition of makers who create forms, shapes, and ideas, every piece has a story informed by their years of work and study in the fields of architecture, film, fine art, and interior design. Each of Robin and Stephen's Original Designs is the product of deep research, exhaustive sourcing, and many stages of hand-drafting, constructing, and prototyping—quality is stubbornly uncompromising. Throughout all stages of production, each piece champions natural materials, and the master craftsmen and artisans who have dedicated their lives to proven, ancient techniques and methods. RW Guild Original Designs are about endurance and can be maintained and repaired, every piece a modern heirloom made to last for generations*

FIFTY-THREE HOWARD STREET  
NEW YORK, NY 10013



RWGUILD.COM | @RWGUILD  
212-852-9099