

ROMAN AND WILLIAMS

GUILD

NEW YORK

STEPHEN ALESCH AND ROBIN STANDEFER PRESENT

ROM **ALABASTER ROTONDE** WMS 



ABOVE
BURNISHED BRASS,
WHITE VEINED
ALABASTER

DIMENSIONS
5 3/4" DIA X 6 3/4" H

PRICE
FROM \$1,750

The versatile *RW Guild Original Lighting Design Rotonde* light fixture is now offered with an alabaster shade carved into a graceful, scalloped shape in France by a single artisan who specializes in the stone. Each shade is crafted from a solid block of veined alabaster so no two are exactly alike. Alabaster is renowned for its translucent glow, and Rotonde casts a warm, soft light and has a cumulative power when used in multiples. Engraved with our insignia.

FIFTY-THREE HOWARD STREET
NEW YORK, NY 10013



RWGUILD.COM | @RWGUILD
212-852-9099



BURNISHED BRASS, WHITE VEINED ALABASTER

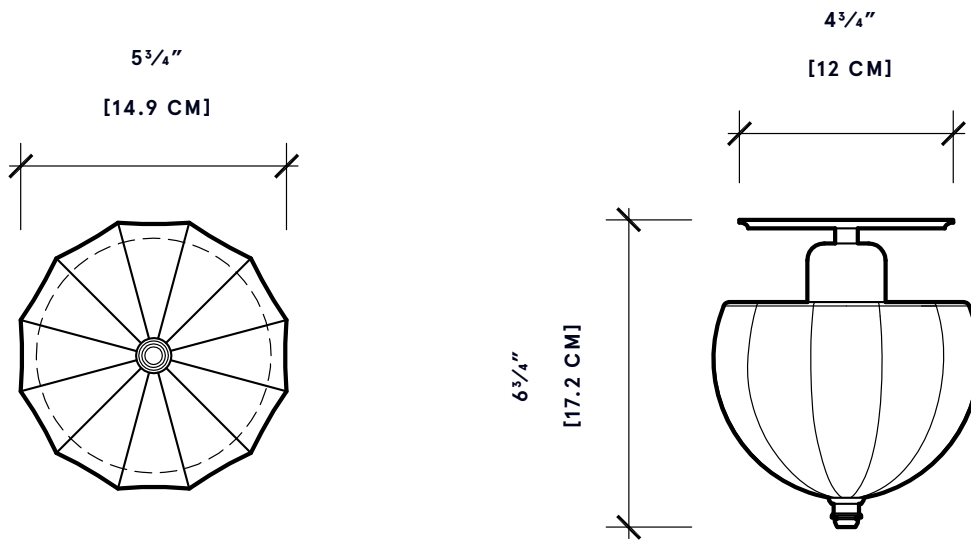


BURNISHED BRASS, WHITE VEINED ALABASTER



BURNISHED BRASS, WHITE VEINED ALABASTER





METAL FINISHES

SIGNATURE

BURNISHED BRASS
BLACKENED BRASS

DISTINCTIVE

BURNISHED NICKEL
FRENCH SILVER
ROSE GOLD
PEWTER

ALABASTER COLORATION

WHITE VEINED ALABASTER

LAMPING

SOCKET E26

SUGGESTED BULB A15

BULB QTY 1

BULB WATTAGE LED 15
(60 WATT INCANDESCENT
EQUIVALENT)

VOLTAGE 120

UL CERTIFIED

BULBS NOT PROVIDED

DIMENSIONS

5 3/4" DIA X 6 3/4" H



ROMAN AND WILLIAMS

GUILD

NEW YORK

ABOUT THE CREATORS

STEPHEN ALESCH & ROBIN STANDEFER



Robin Standefer and Stephen Alesch are the founders and principals of Roman and Williams and RW Guild. They present a radical vision for the home and a way of living that is not just beautiful and luxurious; it is deeply connected to nature, culture, and community. Following in a tradition of makers who create forms, shapes, and ideas, every piece has a story informed by their years of work and study in the fields of architecture, film, fine art, and interior design. Each of Robin and Stephen's Original Designs is the product of deep research, exhaustive sourcing, and many stages of hand-drafting, constructing, and prototyping—quality is stubbornly uncompromising. Throughout all stages of production, each piece champions natural materials, and the master craftsmen and artisans who have dedicated their lives to proven, ancient techniques and methods. RW Guild Original Designs are about endurance and can be maintained and repaired, every piece a modern heirloom made to last for generations

FIFTY-THREE HOWARD STREET
NEW YORK, NY 10013



RWGUILD.COM | @RWGUILD
212-852-9099