

ROMAN AND WILLIAMS

GUILD

NEW YORK

STEPHEN ALESCH AND ROBIN STANDEFER PRESENT

ROM STOCKHOLM COUPE WMS



ABOVE

Oyster Waxed Oak with RW Guild Chestnut Suede; Old Growth White Oak with Studioart Velluto Cognac Leather; Oxidized Oak with RW Guild Amber Unwaxed Leather

DIMENSIONS

32" H X 17½" W X 21" D
18" SEAT HEIGHT

PRICE

FROM \$2,450

The *Stockholm Coupe Dining Chair* offers a variation on the *Stockholm Dining Chair*, with a lower seat back, and less formal, traditional form. The *Stockholm* is a classic, elegant, shape with a streamlined design and smaller proportions. Its solid wood frame offers sculpted strength. Legs are poised and the two front legs are carved at the top to join the apron, tenoned for strength. The chair is delicate in appearance, yet strong with integrity and built to last.

FIFTY-THREE HOWARD STREET
NEW YORK, NY 10013



RWGUILD.COM | @RWGUILD
212-852-9099



STOCKHOLM COUPE IN OLD GROWTH WHITE OAK WITH STUDIOART VELLUTO COGNAC LEATHER; OVO TABLE IN OLD GROWTH WHITE OAK



STOCKHOLM COUPE, VENEER BACK; STOCKHOLM COUPE, UPHOLSTERED BACK

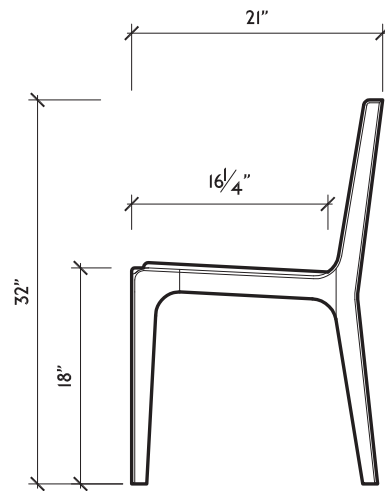
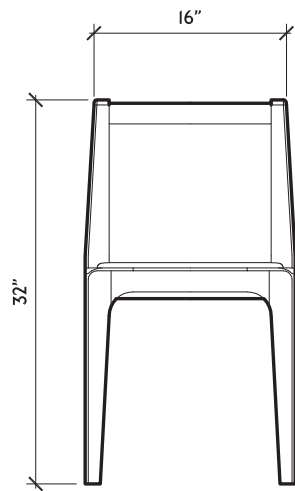
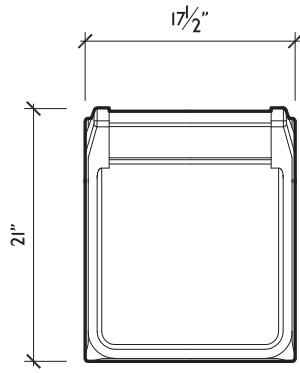


THE STOCKHOLM COUPE IN A VARIETY OF FINISHES AND UPHOLSTERY FABRICS

FIFTY-THREE HOWARD STREET
NEW YORK, NY 10013



RWGUILD.COM | @RWGUILD
212-852-9099



WOOD FINISHES

SIGNATURE

BLACK INKED OAK
 OXIDIZED OAK
 OYSTER WAXED OAK

RARE

CLARO WALNUT
 BRILLIANT POLISH
 CLARO WALNUT
 DANISH OIL

DISTINCTIVE

FIGURED
 BLACK WALNUT
 BRILLIANT POLISH
 FIGURED
 BLACK WALNUT
 DANISH OIL
 OLD GROWTH
 WHITE OAK
 SOAP

GUILD FABRICS & LEATHERS

CHOOSE FROM OUR CURATED
 FABRICS AND LEATHERS

DIMENSIONS

32" H X 17 1/2" W X 21" D
 18" SEAT HEIGHT



ROMAN AND WILLIAMS

GUILD

NEW YORK

ABOUT THE CREATORS

STEPHEN ALESCH & ROBIN STANDEFER



Robin Standefer and Stephen Alesch are the founders and principals of Roman and Williams and RW Guild. They present a radical vision for the home and a way of living that is not just beautiful and luxurious; it is deeply connected to nature, culture, and community. Following in a tradition of makers who create forms, shapes, and ideas, every piece has a story informed by their years of work and study in the fields of architecture, film, fine art, and interior design. Each of Robin and Stephen's Original Designs is the product of deep research, exhaustive sourcing, and many stages of hand-drafting, constructing, and prototyping—quality is stubbornly uncompromising. Throughout all stages of production, each piece champions natural materials, and the master craftsmen and artisans who have dedicated their lives to proven, ancient techniques and methods. RW Guild Original Designs are about endurance and can be maintained and repaired, every piece a modern heirloom made to last for generations

FIFTY-THREE HOWARD STREET
NEW YORK, NY 10013



RWGUILD.COM | @RWGUILD
212-852-9099