

ROMAN AND WILLIAMS

GUILD

NEW YORK

STEPHEN ALESCH AND ROBIN STANDEFER PRESENT

ROM **RW MONTAUK ARMCHAIR** WMS



ABOVE

RW GUILD GREY HERON
SUEDE UPHOLSTERY,
OLD GROWTH WHITE
OAK SOAPED

DIMENSIONS

37" W × 32" L × 29" H
16" SEAT HEIGHT

PRICE

FROM \$7,600

The *RW Montauk Armchair* envelopes in comfort with a fully upholstered three-sided hardwood frame. The solid, handcrafted, made-to-order Armchair features eight-way hand-tied, hand-sprung support. Loose, patchwork cushions are filled with a down feather blend over a foam core for wearability and longevity. The wood stretcher connecting the front feet enhances balance and stability. Splayed slab arms add angled comfort. Pair the *RW Montauk Armchair* with the *RW Montauk Sofa*.

FIFTY-THREE HOWARD STREET
NEW YORK, NY 10013



RWGUILD.COM | @RWGUILD
212-852-9099



RW GUILD GREY HERON SUEDE UPHOLSTERY,
OLD GROWTH WHITE OAK SOAPED



RW GUILD GREY HERON SUEDE UPHOLSTERY,
OLD GROWTH WHITE OAK SOAPED

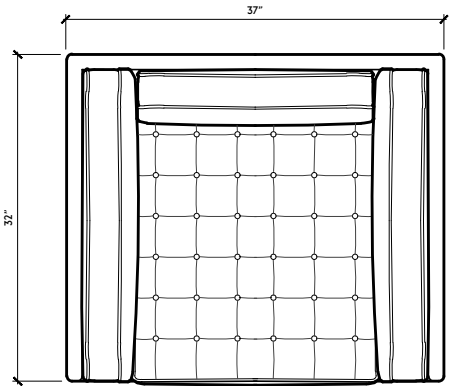
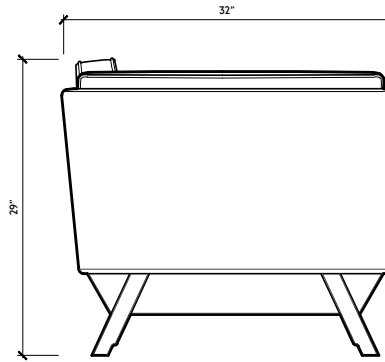
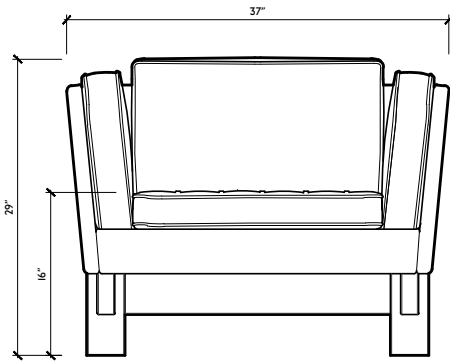


RW GUILD GREY HERON SUEDE UPHOLSTERY,
OLD GROWTH WHITE OAK SOAPED



RW GUILD GREY HERON SUEDE UPHOLSTERY,
OLD GROWTH WHITE OAK SOAPED





WOOD FINISHES

SIGNATURE

BLACK INKED OAK
 OXIDIZED OAK
 OYSTER WAXED OAK

RARE

CLARO WALNUT
 BRILLIANT POLISH
 CLARO WALNUT
 DANISH OIL

GUILD FABRICS & LEATHERS

CHOOSE FROM OUR CURATED
 FABRICS AND LEATHERS

DIMENSIONS

37"W x 32"L x 29"H
 16" SEAT HEIGHT

DISTINCTIVE

FIGURED
 BLACK WALNUT
 BRILLIANT POLISH
 FIGURED
 BLACK WALNUT
 DANISH OIL
 OLD GROWTH
 WHITE OAK
 SOAP



ROMAN AND WILLIAMS

GUILD

NEW YORK

ABOUT THE CREATORS

STEPHEN ALESCH & ROBIN STANDEFER



Robin Standefer and Stephen Alesch are the founders and principals of Roman and Williams and RW Guild. They present a radical vision for the home and a way of living that is not just beautiful and luxurious; it is deeply connected to nature, culture, and community. Following in a tradition of makers who create forms, shapes, and ideas, every piece has a story informed by their years of work and study in the fields of architecture, film, fine art, and interior design. Each of Robin and Stephen's Original Designs is the product of deep research, exhaustive sourcing, and many stages of hand-drafting, constructing, and prototyping—quality is stubbornly uncompromising. Throughout all stages of production, each piece champions natural materials, and the master craftsmen and artisans who have dedicated their lives to proven, ancient techniques and methods. RW Guild Original Designs are about endurance and can be maintained and repaired, every piece a modern heirloom made to last for generations

FIFTY-THREE HOWARD STREET
NEW YORK, NY 10013



RWGUILD.COM | @RWGUILD
212-852-9099