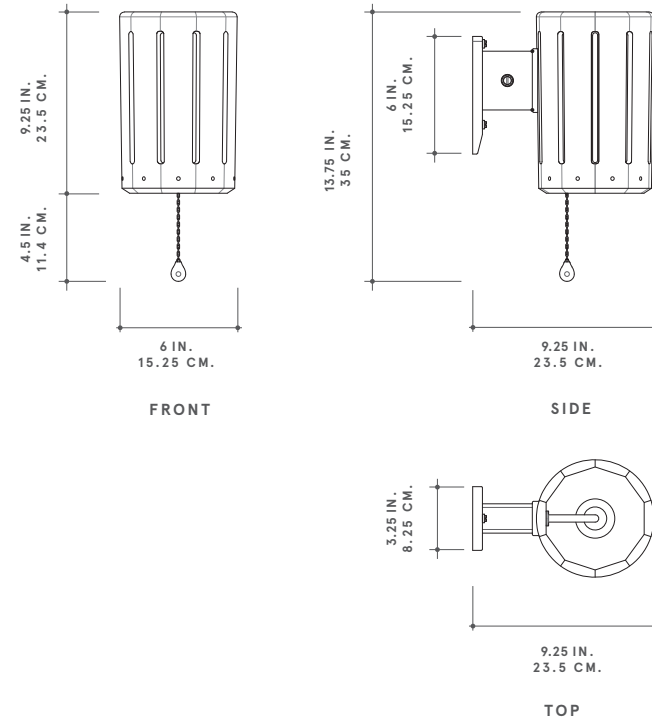


ROMAN AND WILLIAMS  
**GUILD**  
 NEW YORK  
 ORIGINAL DESIGNS



ROMAN AND WILLIAMS GUILD ORIGINAL DESIGNS  
**WOODRUM SCENCE**

WOODRUM'S SHADES ARE HIGHLIGHTED WITH CUSTOM BRASS HARDWARE AND BRIGHTWORK. THE SHAPE OF THE DRUMS IS GENTLY TAPERED WITH ENTASIS, A TECHNIQUE THAT COMES FROM WOOD COLUMN CONSTRUCTION: SEGMENTED PIECES ARE FITTED TOGETHER, THEN LATHED INTO SMOOTH ROUNDNESS. FINALLY, THE THIN LINES ARE ROUTED OUT TO ALLOW LIGHT TO PASS. HANDCRAFTED IN THE USA, IN A SELECTION OF HARDWOODS AND ALLOYS WITH OUR ROMAN AND WILLIAMS GUILD LIVING FINISHES.

**PICTURED**  
 CLARO WALNUT WITH DANISH OIL, BURNISHED BRASS

**FROM**  
 \$3,475

FIFTY-THREE HOWARD STREET, NEW YORK, NY 10013

**METAL FINISHES**

**SIGNATURE**  
 BURNISHED BRASS

**WOOD FINISHES**

**SIGNATURE**  
 BLACK INKED OAK  
 OXIDIZED OAK  
 OYSTER WAXED OAK  
**DISTINCTIVE**  
 FIGURED BLACK WALNUT  
 BRILLIANT POLISH  
 FIGURED BLACK WALNUT  
 DANISH OIL  
 OLD GROWTH  
 WHITE OAK SOAP

**LAMPING**

**SOCKET** E26  
**SUGGESTED BULB** A19  
**BULB QTY** 1  
**BULB WATTAGE** 40  
**VOLTAGE** 120  
 UL CERTIFIED  
 BULBS NOT PROVIDED

**DIMENSIONS**

6" W x 9.25" L x 13.75" OAH



RWGUILD.COM | @RWGUILD | 212-852-9099