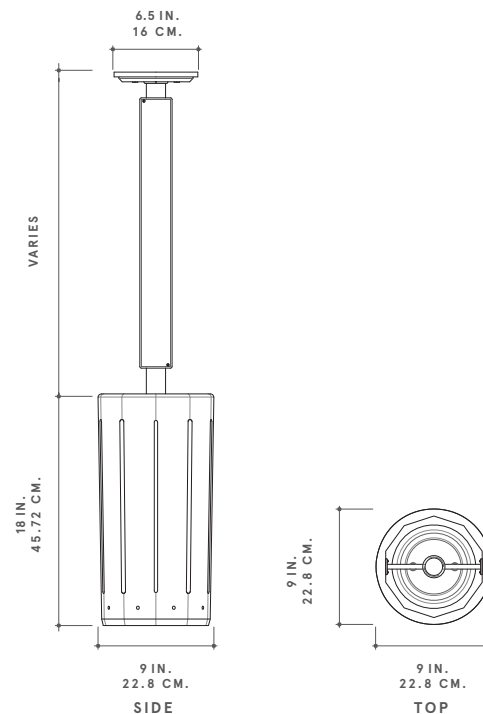


ROMAN AND WILLIAMS
GUILD
 NEW YORK
 ORIGINAL DESIGNS



ROMAN AND WILLIAMS GUILD ORIGINAL DESIGNS
WOODRUM PENDANT

WOODRUM'S SHADES ARE HIGHLIGHTED WITH CUSTOM BRASS HARDWARE AND BRIGHTWORK. THE SHAPE OF THE DRUMS IS GENTLY TAPERED WITH ENTASIS, A TECHNIQUE THAT COMES FROM WOOD COLUMN CONSTRUCTION: SEGMENTED PIECES ARE FITTED TOGETHER, THEN LATHED INTO SMOOTH ROUNDNESS. FINALLY, THE THIN LINES ARE ROUTED OUT TO ALLOW LIGHT TO PASS. HANDCRAFTED IN THE USA, IN A SELECTION OF HARDWOODS AND ALLOYS WITH OUR ROMAN AND WILLIAMS GUILD LIVING FINISHES.

PICTURED
 CLARO WALNUT WITH DANISH OIL, BURNISHED BRASS

FROM
 \$3,975

FIFTY-THREE HOWARD STREET, NEW YORK, NY 10013



METAL FINISHES

SIGNATURE
 BURNISHED BRASS

WOOD FINISHES

SIGNATURE
 BLACK INKED OAK
 OXIDIZED OAK
 OYSTER WAXED OAK

DISTINCTIVE
 FIGURED BLACK WALNUT
 BRILLIANT POLISH
 FIGURED BLACK WALNUT
 DANISH OIL
 OLD GROWTH
 WHITE OAK SOAP

LAMPING

SOCKET E26
SUGGESTED BULB A15
BULB QTY 1
BULB WATTAGE 40
VOLTAGE 120
 UL CERTIFIED
 BULBS NOT PROVIDED

DIMENSIONS

FIXTURE DROP TO ORDER
 9" DIA x 18" H SHADE
 MIN 28" OAH
 MAX 90.75" OAH
 MAX 21" WOOD SLEEVE HEIGHT
 LONGER DROPS AVAILABLE
 AT SPECIAL REQUEST

RWGUILD.COM | @RWGUILD | 212-852-9099