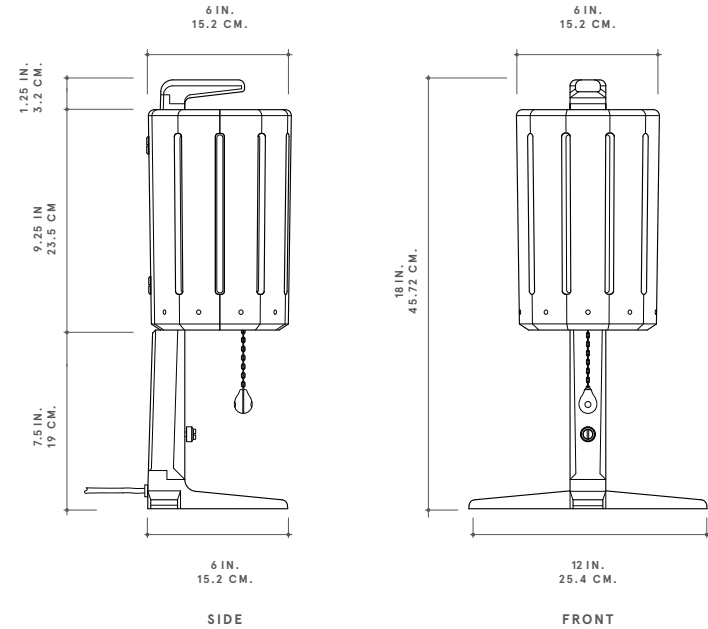


ROMAN AND WILLIAMS  
**GUILD**  
 NEW YORK  
 ORIGINAL DESIGNS



ROMAN AND WILLIAMS GUILD ORIGINAL DESIGNS  
**WOODRUM DESK LAMP**

WOODRUM'S SHADES ARE HIGHLIGHTED WITH CUSTOM BRASS HARDWARE AND BRIGHTWORK. CUSTOM BRASS PULL CHAIN WITH A BRASS AND WOOD COVERED FOB OPERATES THE LIGHT. THE SHAPE OF THE DRUMS IS GENTLY TAPERED WITH ENTASIS, A TECHNIQUE THAT COMES FROM WOOD COLUMN CONSTRUCTION: SEGMENTED PIECES ARE FITTED TOGETHER, THEN LATHED INTO SMOOTH ROUNDNESS. FINALLY, THE THIN LINES ARE ROUTED OUT TO ALLOW LIGHT TO PASS. HANDCRAFTED IN THE USA, IN A SELECTION OF HARDWOODS AND ALLOYS WITH OUR ROMAN AND WILLIAMS GUILD LIVING FINISHES.

**PICTURED**  
 CLARO WALNUT WITH DANISH OIL, BURNISHED BRASS

**FROM**  
 \$3,575

FIFTY-THREE HOWARD STREET, NEW YORK, NY 10013

**METAL FINISHES**

**SIGNATURE**  
 BURNISHED BRASS

**WOOD FINISHES**

**SIGNATURE**  
 BLACK INKED OAK  
 OXIDIZED OAK  
 OYSTER WAXED OAK

**DISTINCTIVE**

FIGURED BLACK WALNUT  
 BRILLIANT POLISH  
 FIGURED BLACK WALNUT  
 DANISH OIL  
 OLD GROWTH  
 WHITE OAK SOAP

**DIMENSIONS**

12"W x 6"L x 18"OAH

**STANDARD CORD LENGTH**

114"/289.6 CM



RWGUILD.COM | @RWGUILD | 212-852-9099