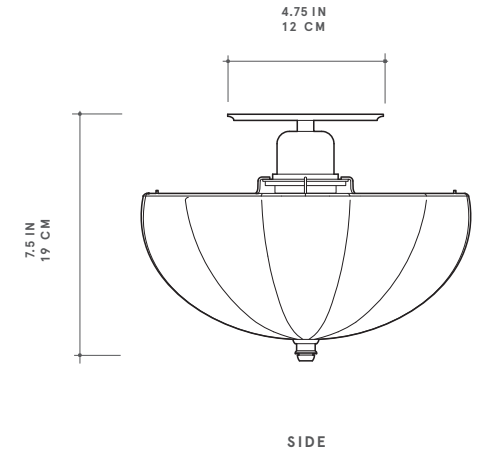
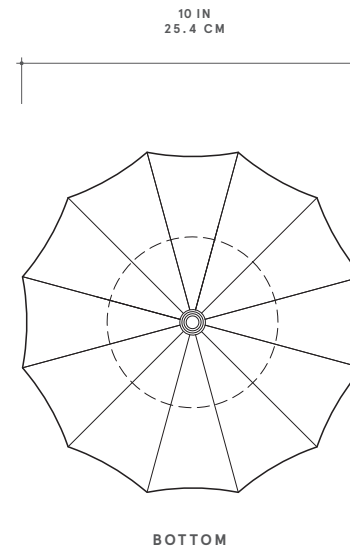


ROMAN AND WILLIAMS  
**GUILD**  
 NEW YORK  
 ORIGINAL DESIGNS



ROMAN AND WILLIAMS GUILD ORIGINAL DESIGNS

**ROTONDE X**

THIS LARGER VERSION OF THE ROTONDE, WHICH IS 10 INCHES IN DIAMETER, IS A VERSATILE PIECE THAT CAN BE USED AS EITHER AN AMBIENT FLUSHMOUNT ON THE CEILING OR AS A WALL SCONCE. ROUNDED SPINES THAT END IN A METAL FINIAL GIVE THE CURVACEOUS IVORY FABRIC SHADE ITS SCALLOPED SHAPE. LIKE A SKELETAL FRAME WITH THIN SKIN STRETCHED OVER IT, THE ANATOMY OF THE SPINES CREATES A SCULPTURAL, GEOMETRIC FORM. THE METAL CANOPY FEATURES AN ARTICULATED EDGED PROFILE AROUND ITS RIM. THE ROTONDE X CASTS A WARM, SOFT LIGHT, AND AS WITH THE ROTONDE, IS IMPACTFUL WHEN USED IN MULTIPLES. THEY CREATE A STRIKING EFFECT COLLECTIVELY, LIKE FLOATING, GLOWING SEA URCHINS. ENGRAVED WITH OUR INSIGNIA.

**PICTURED**  
 BURNISHED BRASS

**FROM**  
 \$1,500

FIFTY-THREE HOWARD STREET, NEW YORK, NY 10013

**METAL FINISHES**

**SIGNATURE**

BURNISHED BRASS  
 BLACKENED BRASS

**DISTINCTIVE**

BURNISHED NICKEL  
 FRENCH SILVER  
 ROSE GOLD  
 PEWTER

**LAMPING**

**SOCKET E26**

**SUGGESTED BULB A15**

**BULB QTY 1**

**BULB WATTAGE 60 WATTS**

**VOLTAGE 120**

UL CERTIFIED

BULBS NOT PROVIDED

**DIMENSIONS**

7.5" OAH x 10" DIA



RWGUILD.COM | @RWGUILD | 212-852-9099