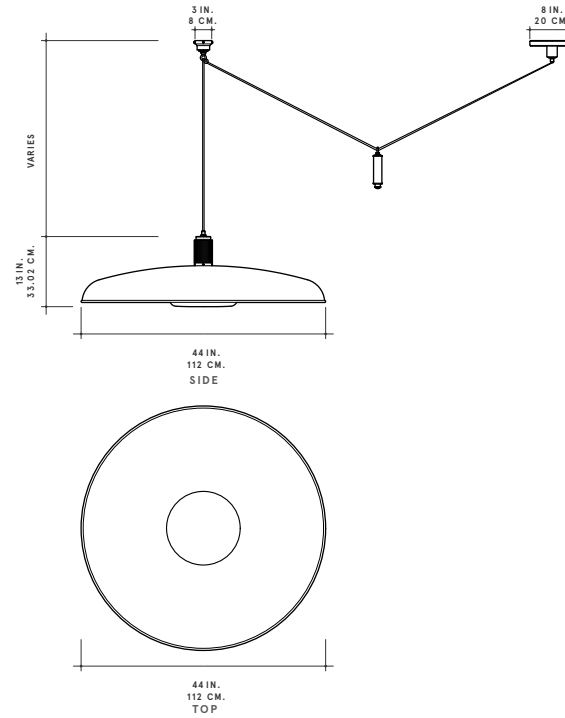


ROMAN AND WILLIAMS
GUILD
 NEW YORK
 ORIGINAL DESIGNS



ROMAN AND WILLIAMS GUILD ORIGINAL DESIGNS
OSCAR COUNTERWEIGHT

OSCAR WOWS WITH DISTINCTIVE SCALE AND CRAFTSMANSHIP. ATTRACTING THE EYE, THE HANDSPUN, CAST SHADE ROUNDS DOWN TO A ROLLED LIP EDGE. THE EXTENSIVE PATINATION PROCESS SHOWCASES THE GLORY OF METAL ALLOY. CUSTOM-DEVELOPED, HANDBLOWN NUDE GLASS EMITS A WARM GLOW IN A TABLET SHAPE THAT PEEKS OUT BELOW THE MASSIVE METAL CANOPY. ABOVE, A LARGE FLUTED NECK AND KNURLED COLLAR MEET YOUR CHOICE OF COUNTERWEIGHT, PIPE STEM, OR FLUSH MOUNT.

PICTURED
 BURNISHED BRASS, NUDE GLASS

FROM
 \$6,000

METAL FINISHES

SIGNATURE

BURNISHED BRASS
 BLACKENED BRASS

DISTINCTIVE

BURNISHED NICKEL
 FRENCH SILVER
 PEWTER
 ROSE GOLD

LAMPING

SOCKET E26

SUGGESTED BULB A15

BULB QTY 1

BULB WATTAGE 60

VOLTAGE 120

UL CERTIFIED

BULBS NOT PROVIDED

DIMENSIONS

OSCAR 16 COUNTERWEIGHT
 10.25"H x 16"DIA
 MIN 13.5"OAH

OSCAR 34 COUNTERWEIGHT
 12"H x 34"DIA
 MIN 15.25"OAH

OSCAR 24 COUNTERWEIGHT
 10.25"H x 24"DIA
 MIN 13.5"OAH

OSCAR 44 COUNTERWEIGHT
 13"H x 44"DIA
 MIN 16.75"OAH
 *ONLY AVAILABLE IN
 BURNISHED BRASS FINISH

11 FT CORD PROVIDED, LONGER CORD AVAILABLE
 AT SPECIAL REQUEST (MAX 15')

FIFTY-THREE HOWARD STREET, NEW YORK, NY 10013



RWGUILD.COM | @RWGUILD | 212-852-9099