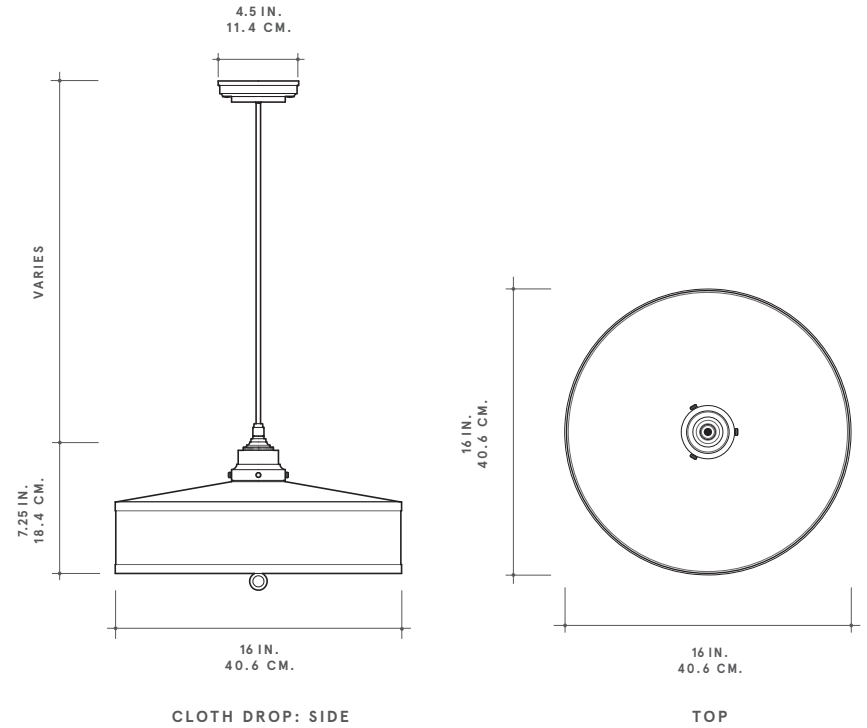


ROMAN AND WILLIAMS  
**GUILD**  
 NEW YORK  
 ORIGINAL DESIGNS



ROMAN AND WILLIAMS GUILD ORIGINAL DESIGNS  
**NANTUCKET FABRIC PENDANT**

NANTUCKET'S WELL-EDITED PRESENCE IS VERSATILE, EXHIBITING GREAT ATTENTION TO DETAIL. THE HAND SEWN FABRIC SHADE, WITH DECORATIVE TRIM, CONCEALS A THREE-LAMP HOLDER THAT EMITS A NUANCED GLOW. UNDERNEATH, STACKED METAL WASHERS AFFIX TO A ROD TO HOLD THE DIFFUSER. FINISHED WITH A METAL RING. A CANOPY OF METAL FEATURES FLUTED AND FINE STEPPED DETAIL. FABRIC SHADE IS EDGED WITH PASSEMENTERIE HAND SEWN IN FRANCE FOR A NUANCED GLOW AND LACY DELIGHT. HANDCRAFTED IN FRANCE, IN A SELECTION OF SIGNATURE AND DISTINCTIVE ALLOYS WITH OUR ROMAN AND WILLIAMS GUILD LIVING FINISHES.

**PICTURED**  
 BURNISHED BRASS

**FROM**  
 \$4,625

**METAL FINISHES**

**SIGNATURE**  
 BURNISHED BRASS  
 BLACKENED BRASS

**DISTINCTIVE**  
 BURNISHED NICKEL  
 FRENCH SILVER  
 PEWTER  
 ROSE GOLD

**LAMPING**

**SOCKET** E26  
**SUGGESTED BULB** A15 LED  
**BULB QTY** 2  
**BULB WATTAGE** 40  
**VOLTAGE** 120  
 UL CERTIFIED  
 BULBS NOT PROVIDED

**DIMENSIONS**

7.25" H x 16" DIA  
 MIN 8.5" OAH  
 MAX 80.5" OAH

**DROP STYLES**

CORD  
 METAL  
 LONGER DROPS AVAILABLE  
 AT SPECIAL REQUEST

