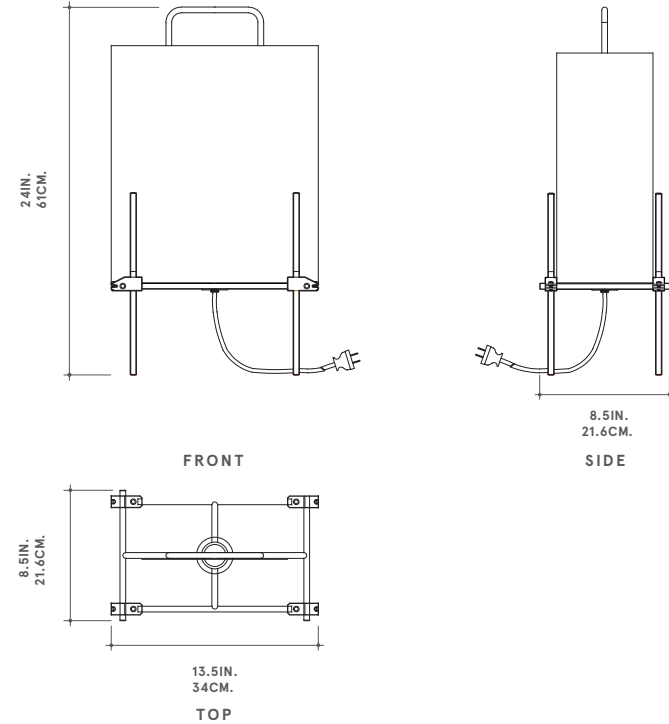


ROMAN AND WILLIAMS
GUILD
 NEW YORK
 ORIGINAL DESIGNS



ROMAN AND WILLIAMS GUILD ORIGINAL DESIGNS
LANTERNE DE PONT

LANTERNE DE PONT HAS PERSONALITY WITH ITS UNIQUE SCALE. THE LINEN SHADE GLOWS, ACCENTUATED BY HORIZONTAL CROSS BRACING AND CUSTOM COUPLINGS WE INVENTED. AN ELOQUENT EXPRESSION OF ARCHITECTURAL FORM SEEN IN SCAFFOLDS MET WITH A BENT AND ROUNDED HANDLE. THE METAL ALLOY RODS FEATURE FINE DETAILS WITH DISTINCT ROUNDED AND SPUN ENDS. THE HANDSEWN LINEN SHADE IS EDGED, GIVING ADDED TEXTURE AND DIMENSION. HANDCRAFTED IN FRANCE, IN A SELECTION OF SIGNATURE AND DISTINCTIVE ALLOYS WITH OUR ROMAN AND WILLIAMS GUILD LIVING FINISHES, AND TEXTILES.

PICTURED
 ROSE GOLD

FROM
 \$4,225

METAL FINISHES

SIGNATURE

BURNISHED BRASS
 BLACKENED BRASS

DISTINCTIVE

BURNISHED NICKEL
 FRENCH SILVER
 PEWTER
 ROSE GOLD

LAMPING

SOCKET E26

SUGGESTED BULB A19

BULB QTY 1

BULB WATTAGE 40

VOLTAGE 120

UL CERTIFIED

BULBS NOT PROVIDED

DIMENSIONS

13.5"W x 8.5"L x 24"H

STANDARD CORD LENGTH

70.8"/180 CM

