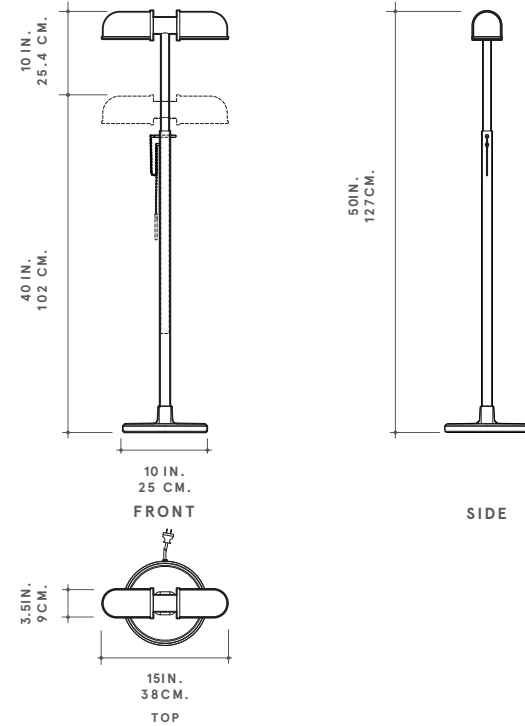


ROMAN AND WILLIAMS
GUILD
 NEW YORK
 ORIGINAL DESIGNS



ROMAN AND WILLIAMS GUILD ORIGINAL DESIGNS
LAB FLOOR LAMP

LAB FLOOR LAMP IS MEANT TO LAST FOR GENERATIONS WITH A BENT AND FOLDED CONSTRUCTION AND A HAND-CAST, SQUARE TUBE NECK AND CIRCULAR BASE. OUR ARCHETYPAL VERSION OF A LIBRARY LIGHT, THE DOUBLE-HEADED CURVED SHADES HAVE A FOLDED EDGE AND ARE DIRECTIONAL AND ROTATE AND HAVE TELESCOPING HEIGHT, WHICH IS HELD IN PLACE BY AN ANTI-FATIGUE PIN THAT WILL NEVER FAIL. THE PULL BRASS STUD LINK ANCHOR CHAIN IS CUSTOM MADE, AND THE DIMMER SWITCH IS KNURLED. HANDCRAFTED IN FRANCE, IN A SELECTION OF ALLOYS WITH OUR ROMAN AND WILLIAMS GUILD LIVING FINISHES AND HANDBLOWN GLASS.

PICTURED
 BURNISHED BRASS

FROM
 \$6,700

FIFTY-THREE HOWARD STREET, NEW YORK, NY 10013

METAL FINISHES

SIGNATURE
 BURNISHED BRASS
 BLACKENED BRASS

DISTINCTIVE
 BURNISHED NICKEL
 FRENCH SILVER
 PEWTER
 ROSE GOLD

LAMPING

SOCKET E26
SUGGESTED BULB A15
BULB QTY 2
BULB WATTAGE 40
VOLTAGE 120
 UL CERTIFIED
 BULBS NOT PROVIDED

DIMENSIONS

15"W x 10"L x 40-50"H

STANDARD CORD LENGTH

70.8"/180 CM



RWGUILD.COM | @RWGUILD | 212-852-9099