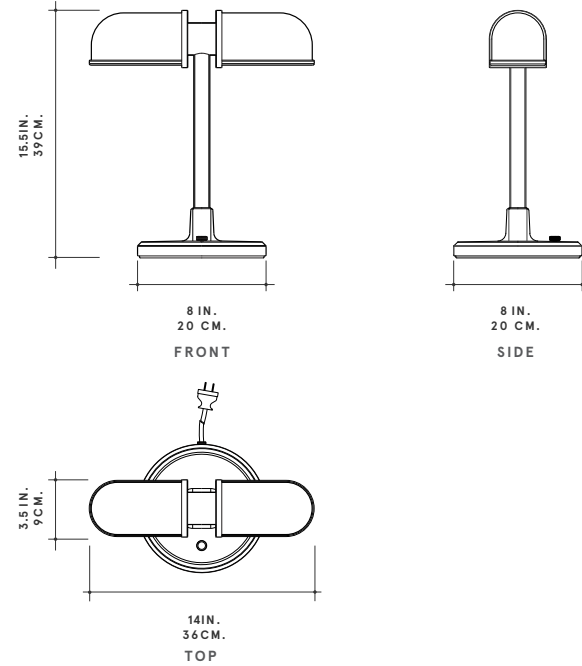


ROMAN AND WILLIAMS
GUILD
 NEW YORK
 ORIGINAL DESIGNS



ROMAN AND WILLIAMS GUILD ORIGINAL DESIGNS
LAB DESK LAMP

LAB TABLE LAMP IS MEANT TO LAST FOR GENERATIONS WITH A BENT AND FOLDED CONSTRUCTION AND A HAND-CAST, SQUARE TUBE NECK AND CIRCULAR BASE. OUR ARCHETYPAL VERSION OF A LIBRARY LIGHT, THE DOUBLE-HEADED CURVED SHADES HAVE A FOLDED EDGE AND ARE DIRECTIONAL AND ROTATE. THE PULL BRASS STUD LINK ANCHOR CHAIN IS CUSTOM MADE, AND THE DIMMER SWITCH IS KNURLED. HANDCRAFTED IN FRANCE, IN A SELECTION OF ALLOYS WITH OUR ROMAN AND WILLIAMS GUILD LIVING FINISHES AND HANDBLOWN GLASS.

PICTURED
 BURNISHED BRASS

FROM
 \$5,250

METAL FINISHES

SIGNATURE
 BURNISHED BRASS
 BLACKENED BRASS

DISTINCTIVE
 BURNISHED NICKEL
 FRENCH SILVER
 PEWTER
 ROSE GOLD

LAMPING

SOCKET E26
SUGGESTED BULB A19
BULB QTY 2
BULB WATTAGE 40
VOLTAGE 120
 UL CERTIFIED
 BULBS NOT PROVIDED

DIMENSIONS

14"W x 8"L x 15.5"H

STANDARD CORD LENGTH

70.8"/180 CM

