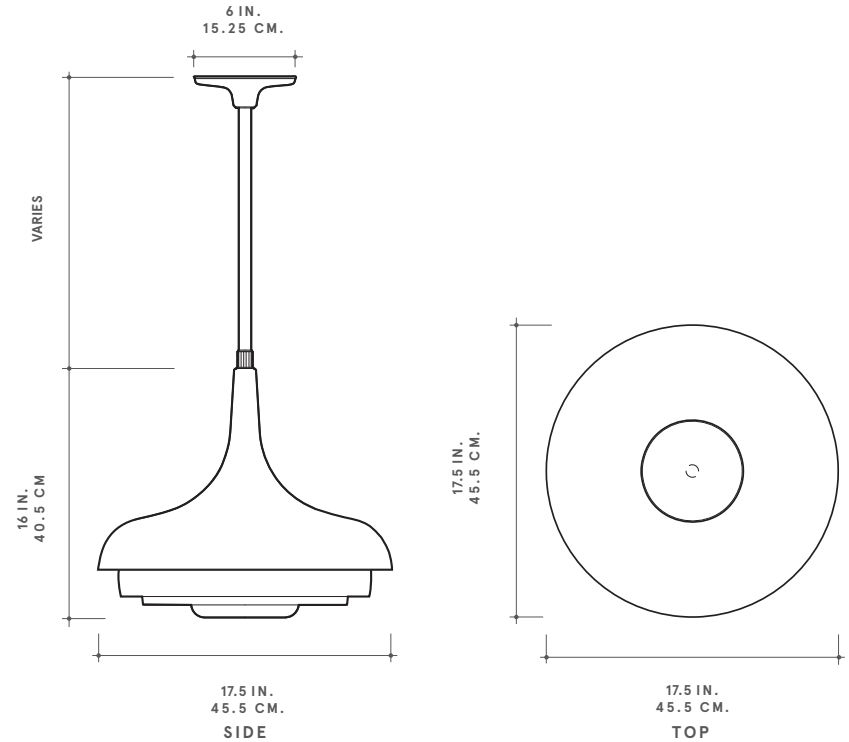


ROMAN AND WILLIAMS  
**GUILD**  
 NEW YORK  
 ORIGINAL DESIGNS



ROMAN AND WILLIAMS GUILD ORIGINAL DESIGNS  
**CALYX**

OUR CALYX LIGHT HAS AN ORGANIC, BOTANICAL COMPOSITION WITH THREE CUSTOM-DEVELOPED NUDE GLASS SHADES THAT NEST WITHIN ITS HAND-CAST METAL SHADE. A FEAT OF MASTERFUL CRAFTSMANSHIP. GLOWING WARMLY, IN A GENTLE AND CONTROLLED UNFURLING BLOSSOM OF ALLOYS AND GLASS. THE PIPE STEM HOOKS AND LOOPS INTO THE ATTACHMENT PLATE AND MEETS THE CAST METAL SHADE WITH CHARACTERISTIC FLUTED DETAIL. HANDCRAFTED IN FRANCE, IN A SELECTION OF SIGNATURE AND DISTINCTIVE ALLOYS WITH OUR ROMAN AND WILLIAMS GUILD LIVING FINISHES AND BESPOKE HANDBLOWN GLASS.

**PICTURED**  
 SILVER, NUDE GLASS

**FROM**  
 \$7,600

FIFTY-THREE HOWARD STREET, NEW YORK, NY 10013



**METAL FINISHES**

**SIGNATURE**  
 BURNISHED BRASS  
 BLACKENED BRASS

**DISTINCTIVE**  
 BURNISHED NICKEL  
 FRENCH SILVER  
 PEWTER  
 ROSE GOLD

**LAMPING**

**SOCKET** E26  
**SUGGESTED BULB** A19  
**BULB QTY** 1  
**BULB WATTAGE** 60  
**VOLTAGE** 120  
 UL CERTIFIED  
 BULBS NOT PROVIDED

**GLASS COLOR**

NUDE

**DIMENSIONS**

16"H x 17.5"DIA  
 MIN 18"OAH  
 MAX 90"OAH  
 LONGER DROPS AVAILABLE  
 AT SPECIAL REQUEST

RWGUILD.COM | @RWGUILD | 212-852-9099