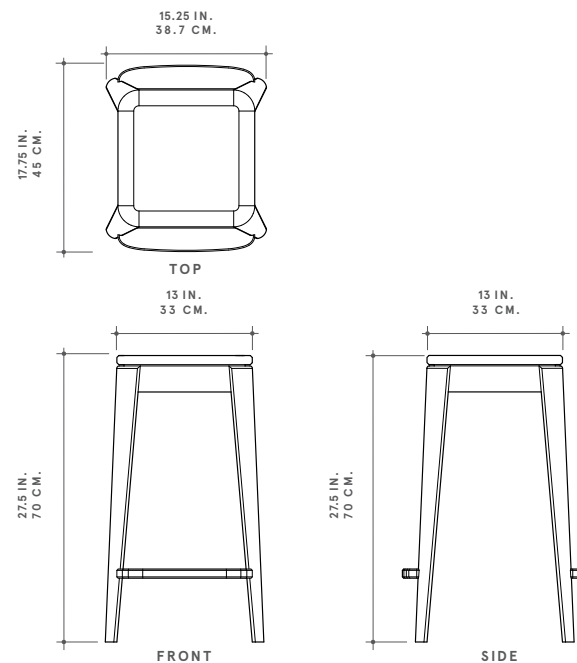


ROMAN AND WILLIAMS
GUILD
 NEW YORK
 ORIGINAL DESIGNS



ROMAN AND WILLIAMS GUILD ORIGINAL DESIGNS
TONIC

TO MAKE A PRESSED METAL STOOL, YOU FIRST NEED A HAND-CARVED WOOD PROTOTYPE. WE REVERSED THE FORMULA, MAKING OUR DE-ENGINEERED WOOD RENDERING INCLUDING A CROSSBAR FOR YOUR FEET AND CALLED IT THE TONIC STOOL. THE SHAPED WOOD SEAT TOP IS BEVELED WITH A DEBIT AND SITS ATOP TAPERED AND CHAMFERED LEGS. SMOOTHED OUT AND ELEGANT, TONIC EXPRESSES THE GLORY OF SIMPLICITY AND BEAUTY OF PROTOTYPES.

DIMENSIONS
 15.25"W x 17.75"L x 27.5"H

PICTURED
 OLD GROWTH WHITE OAK SOAPED 31"

WOOD FINISHES

SIGNATURE

OAK
 BLACK INKED
 OXIDIZED
 OYSTER WAXED

DISTINCTIVE

FIGURED
BLACK WALNUT
 BRILLIANT POLISH
 DANISH OIL

OLD GROWTH
WHITE OAK
 SOAP

DIMENSIONS

TONIC 27.5
 15.25"W x 17.75"L x 27.5"H

TONIC 31
 15.25"W x 17.75"L x 31"H

