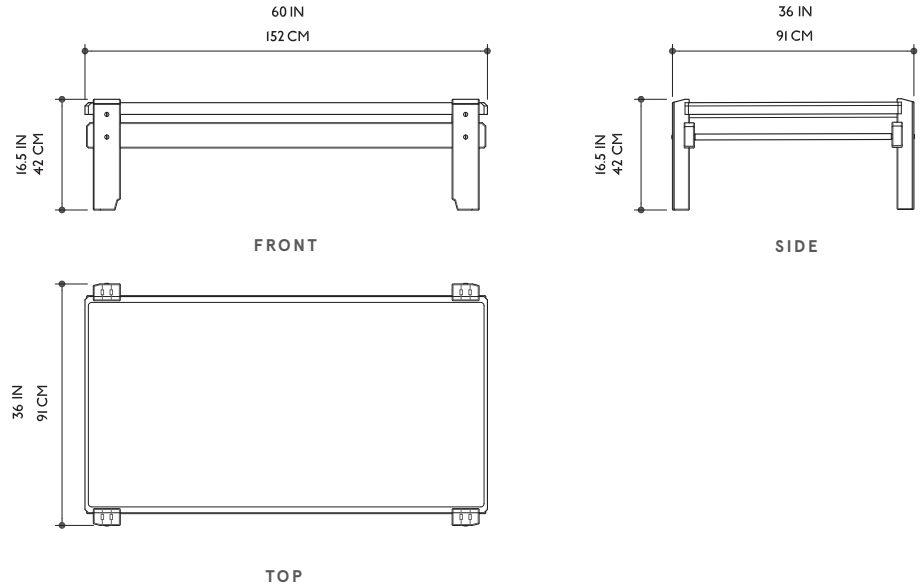


ROMAN AND WILLIAMS
GUILD
 NEW YORK
 ORIGINAL DESIGNS



ROMAN AND WILLIAMS GUILD ORIGINAL DESIGNS
SKAFELD RECTANGULAR STONE COFFEE TABLE

THIS COFFEE TABLE INGENUOUSLY COMBINES STONE, WOOD AND CRAFT AS WARM HARDWOOD AND COOL, HONED STONE MEET IN A STRIKING DESIGN. A BEVELED STONE TOP FLOATS OVER CHAMFERED LEGS THAT END IN HOOVED FEET, A ROMAN AND WILLIAMS SIGNATURE DETAIL. EXPOSED, OVOID DOWEL RODS ARE TUCKED BENEATH AN OVERHANGING SLATTED TABLETOP, PULLED TOGETHER WITH CROSSTIES. CREATE YOUR OWN SIGNATURE PIECE WITH A SELECTION OF WOODS, HARDWARE AND HONED STONES INCLUDING WHITE MACAUBAS QUARTZITE, SAINT LAURENT BLACK MARBLE, ARABESCATO CORCHIA MARBLE OR FANTASY QUARTZITE.

DIMENSIONS
 36" W × 60" L × 16.5" OAH
 16.5" TABLE TOP HEIGHT

PICTURED
 BLACK ST. LAURENT MARBLE, FIGURED BLACK WALNUT DANISH OIL, BURNISHED BRASS HARDWARE

FIFTY-THREE HOWARD STREET, NEW YORK, NY 10013

WOOD FINISHES

SIGNATURE

OAK
 BLACK INKED
 OXIDIZED
 OYSTER WAXED

RARE

CLARO WALNUT
 BRILLIANT POLISH
 DANISH OIL

DISTINCTIVE

FIGURED
 BLACK WALNUT
 BRILLIANT POLISH
 DANISH OIL

OLD GROWTH
 WHITE OAK
 SOAP

METAL FINISHES

SIGNATURE

BURNISHED BRASS
 DARK BRASS
 BLACKENED BRASS
 BURNISHED NICKEL
 FRENCH SILVER

DISTINCTIVE

ROSE GOLD
 PEWTER

DIMENSIONS

36" W × 60" L × 16.5" OAH
 16.5" TABLE TOP HEIGHT

STONE TOP OPTIONS

HONED BLACK
 ST. LAURENT MARBLE
 HONED WHITE
 MACAUBAS QUARTZITE
 HONED ARABESCATO
 CORCHIA MARBLE
 HONED FANTASY
 QUARTZITE



RWGUILD.COM | @RWGUILD | 212-852-9099