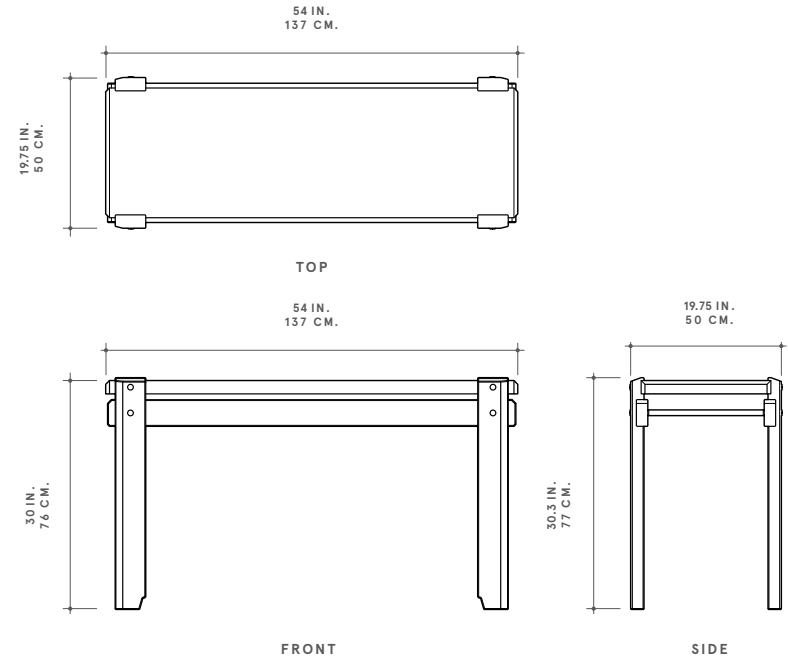


ROMAN AND WILLIAMS
GUILD
 NEW YORK
 ORIGINAL DESIGNS



ROMAN AND WILLIAMS GUILD ORIGINAL DESIGNS
SKAFELD CONSOLE

SKAFELD CONSOLE DEMONSTRATES CAREFUL PROPORTION AND LURES THE EYE FROM EVERY ANGLE WITH ITS PRECISE COMPOSITION OF ARCHITECTURAL WOOD FORMS. SQUARE, HOOVED LEGS ARE NOTCHED AND GRAB ONTO THE DEBITED AND BEVELED WOOD TOP. STRETCHERS ARE LET-IN TO THE LEGS. LEGS CONSIST OF THREE PIECES OF WOOD WITH EXPOSED SPLINES AND CUSTOM HARDWARE. A FEAST OF CHAMFERS AND BEVELS PULLED TOGETHER WITH CROSSTIES. AN EXPOSED OVOID DOWEL IS TUCKED BENEATH THE SLATTED TABLETOP.

DIMENSIONS
 54"W × 19.75"L × 30"H

PICTURED
 BLACK INKED OAK,
 BLACKENED BRASS HARDWARE

WOOD FINISHES

SIGNATURE

OAK
 BLACK INKED
 OXIDIZED
 OYSTER WAXED

DISTINCTIVE

FIGURED BLACK WALNUT
 BRILLIANT POLISH
 DANISH OIL

OLD GROWTH
 WHITE OAK
 SOAP

MAPLE
 OXIDIZED

METAL FINISHES

SIGNATURE

BURNISHED BRASS
 DARK BRASS
 BLACKENED BRASS
 BURNISHED NICKEL
 FRENCH SILVER

DISTINCTIVE

ROSE GOLD
 PEWTER

STONE TOP OPTIONS

HONED BLACK
 ST. LAURENT MARBLE

HONED WHITE
 MACAUBAS QUARTZITE

HONED ARABESCATO
 CORCHIA MARBLE

HONED FANTASY
 QUARTZITE

DIMENSIONS

54"W × 19.75"L × 30"H

