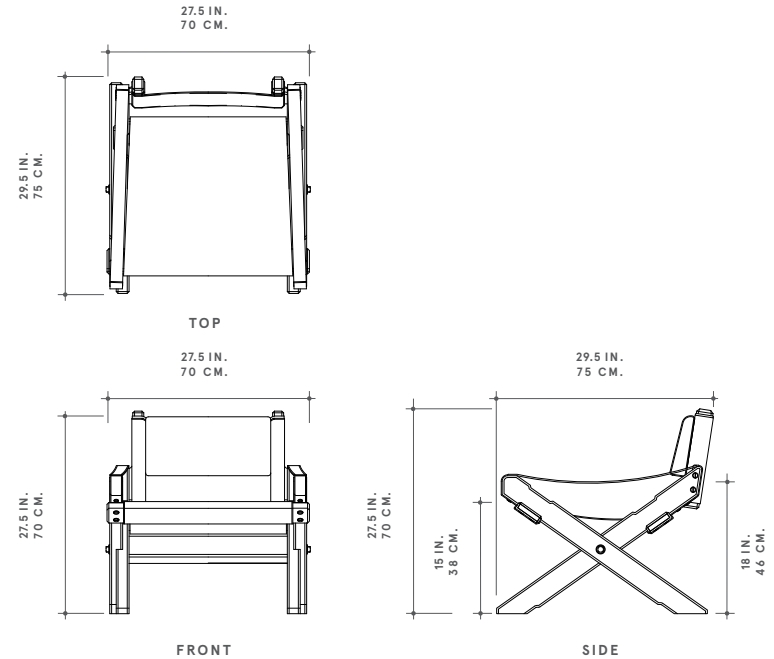


ROMAN AND WILLIAMS
GUILD
 NEW YORK
 ORIGINAL DESIGNS



ROMAN AND WILLIAMS GUILD ORIGINAL DESIGNS
READER

READER & FOOTSTOOL'S ARTICULATED GEOMETRY PROMPTED THE NEW YORK TIMES TO SINGLE IT OUT FOR OUR "LASER-LIKE ATTENTION TO DETAILS." HARDY GUILD SADDLE LEATHER IS COMBINED WITH FINE WOOD AND CUSTOM BRASS HARDWARE IN THE FORM OF A SQUARE NUT WITH QUILTED EDGES AND A BUILT-IN WASHER. THE BACK CUSHION IS SHAPED TO CULTIVATE THE IDEAL HEAD POSITION FOR READING. SHARING THE MUSCULAR ANATOMY OF OUR ARCHETYPAL AXIS SERIES, EXPRESSING OUR LANGUAGE OF FORMS WITH EXPOSED ATTACHMENTS, CHAMFERED EDGES, SUBTRACTIVE NOTCHES, AND HOOVED FEET.

DIMENSIONS
 27.5"W x 29.5"L x 27.25"H
 15" SEAT HEIGHT

PICTURED
 SOAPED OLD GROWTH WHITE OAK, BURNISHED BRASS
 HARDWARE, BLACK LEATHER

WOOD FINISHES

SIGNATURE

OAK
 BLACK INKED
 OXIDIZED
 OYSTER WAXED

DISTINCTIVE

FIGURED BLACK WALNUT
 BRILLIANT POLISH
 DANISH OIL
 OLD GROWTH
 WHITE OAK
 SOAP

METAL FINISHES

SIGNATURE

BURNISHED BRASS
 DARK BRASS
 BLACKENED BRASS
 BURNISHED NICKEL
 FRENCH SILVER

DISTINCTIVE

ROSE GOLD
 PEWTER

GUILD LEATHERS

CHOOSE FROM OUR
 CURATED LEATHERS

DIMENSIONS

27.5"W x 29.5"L x 27.25"H
 15" SEAT HEIGHT

