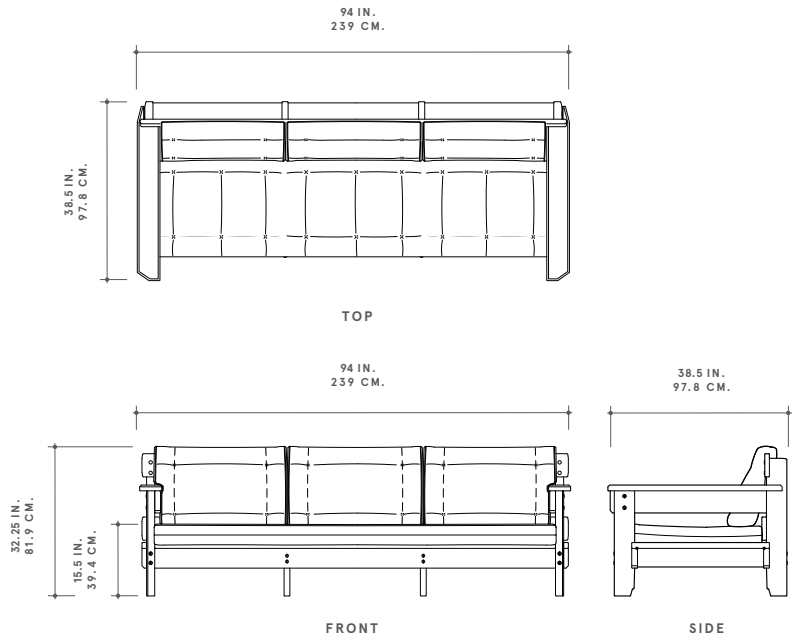


ROMAN AND WILLIAMS
GUILD
 NEW YORK
 ORIGINAL DESIGNS



ROMAN AND WILLIAMS GUILD ORIGINAL DESIGNS
NAPPER

OUR NAPPER SOFA REVEALS CHARACTERISTIC JOINERY WITH AN EXPOSED FRAME AND HARDWARE. PRISMATIC BEVELS AND HOOVED FEET. THE HANDSOME WOOD BACKING HAS A SCULPTURAL PRESENCE. FIVE HANDSEWN CUSHIONS PROVIDE COMFORT AND DIMENSION WITH ITS GEOMETRIC PATTERN. WOVEN LEATHER STRAPPING AT THE UNDERSIDE OF THE CUSHIONS ENSURES LONGEVITY AND COMFORT.

DIMENSIONS
 94"W × 38.5"L × 32.25"H
 15.5" SEAT HEIGHT

PICTURED
 SOAPED OLD GROWTH WHITE OAK,
 DARK BRASS HARDWARE, BLACK LEATHER

WOOD FINISHES

SIGNATURE

OAK
 BLACK INKED
 OXIDIZED
 OYSTER WAXED

DISTINCTIVE

FIGURED BLACK WALNUT
 BRILLIANT POLISH
 DANISH OIL
 OLD GROWTH
 WHITE OAK
 SOAP

METAL FINISHES

SIGNATURE

BURNISHED BRASS
 DARK BRASS
 BLACKENED BRASS
 BURNISHED NICKEL
 FRENCH SILVER

DISTINCTIVE

ROSE GOLD
 PEWTER

GUILD LEATHERS

CHOOSE FROM OUR
 CURATED LEATHERS

DIMENSIONS

94"W × 38.5"L × 32.25"H
 15.5" SEAT HEIGHT

