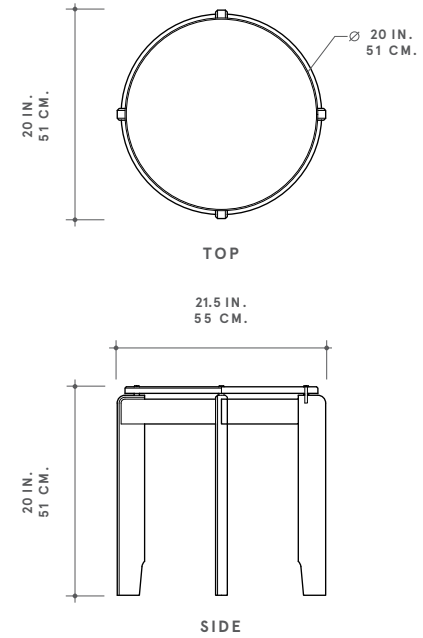


ROMAN AND WILLIAMS  
**GUILD**  
 NEW YORK  
 ORIGINAL DESIGNS



ROMAN AND WILLIAMS GUILD ORIGINAL DESIGNS  
**KANT ROUNDSIDES**

FASCINATED WITH OPPOSITES, OUR DESIGNS VIBRATE BETWEEN HEAVY AND LIGHT PROPORTIONS AND ON THIS SPECTRUM, OUR KANT SERIES IS A QUIETLY COMPLICATED VARIATION. CUSTOM BRASS HARDWARE SITS PROUD OF SURFACE GIVING THE APPEARANCE OF A FLOATING, BEVELED TOP. THE APRON CHASES THE DIAMETER WITH MORTISE AND TENON JOINERY MEETING FOUR CHAMFERED AND HOOVED LEGS WHICH SIT PERPENDICULAR TO THE EDGE OF THE TABLE RATHER THAN PARALLEL.

**DIMENSIONS**  
 21.5"OAW × 20"H  
 20"DIA TABLETOP

**PICTURED**  
 FIGURED BLACK WALNUT DANISH OIL,  
 HONED BLACK ST. LAURENT MARBLE

**WOOD FINISHES**

**SIGNATURE**  
 OAK  
 BLACK INKED  
 OXIDIZED  
 OYSTER WAXED

**DISTINCTIVE**  
 FIGURED BLACK WALNUT  
 BRILLIANT POLISH  
 DANISH OIL  
 OLD GROWTH  
 WHITE OAK  
 SOAP  
 MAPLE  
 OXIDIZED

**METAL FINISHES**

**SIGNATURE**  
 BURNISHED BRASS  
 DARK BRASS  
 BLACKENED BRASS  
 BURNISHED NICKEL  
 FRENCH SILVER  
**DISTINCTIVE**  
 ROSE GOLD  
 PEWTER

**STONE TOP OPTIONS**

HONED BLACK  
 ST. LAURENT MARBLE  
 HONED WHITE  
 MACAUBAS QUARTZITE  
 HONED ARABESCATO  
 CORCHIA MARBLE  
 HONED FANTASY  
 QUARTZITE

**DIMENSIONS**

**KANT ROUNDSIDES 20**  
 21.5"OAW × 20"H  
 20"DIA TABLETOP  
**KANT ROUNDSIDES 30**  
 31.5"OAW × 20"H  
 30"DIA TABLETOP

FIFTY-THREE HOWARD STREET, NEW YORK, NY 10013



RWGUILD.COM | @RWGUILD | 212-852-9099