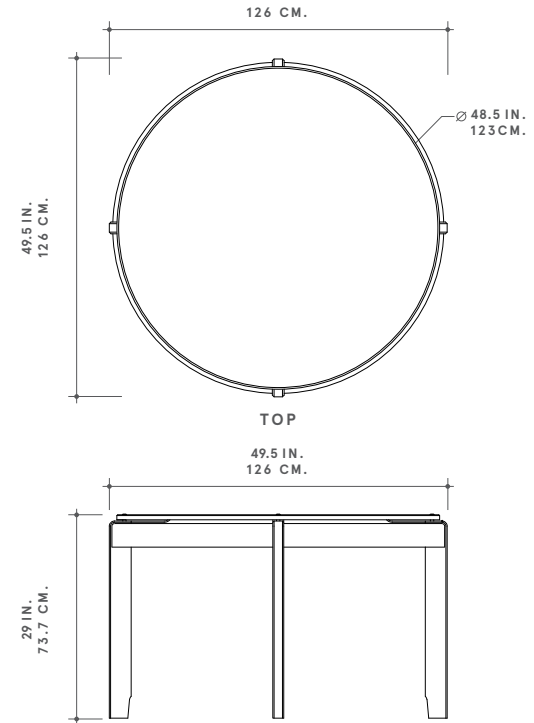


ROMAN AND WILLIAMS
GUILD
 NEW YORK
 ORIGINAL DESIGNS



ROMAN AND WILLIAMS GUILD ORIGINAL DESIGNS
KANT STONE DINING

FASCINATED WITH OPPOSITES, OUR DESIGNS VIBRATE BETWEEN HEAVY AND LIGHT PROPORTIONS AND ON THIS SPECTRUM, OUR KANT SERIES IS A QUIETLY COMPLICATED VARIATION. CUSTOM BRASS HARDWARE SITS PROUD OF SURFACE GIVING THE APPEARANCE OF A FLOATING, BEVELED TOP. THE APRON CHASES THE DIAMETER WITH MORTISE AND TENON JOINERY MEETING FOUR CHAMFERED AND HOOVED LEGS WHICH SIT PERPENDICULAR TO THE EDGE OF THE TABLE RATHER THAN PARALLEL. THIS TABLE IS AVAILABLE WITH A BEVELED STONE TOP IN YOUR CHOICE OF HONED WHITE MACAUBAS QUARTZITE OR HONED ST. LAURENT BLACK MARBLE.

DIMENSIONS
 49.5" OAW x 30"H
 48.5" DIA TABLETOP

PICTURED
 SOAPED OLD GROWTH WHITE OAK,
 HONED BLACK ST. LAURENT MARBLE

WOOD FINISHES

SIGNATURE
 OAK
 BLACK INKED
 OXIDIZED
 OYSTER WAXED

DISTINCTIVE
FIGURED BLACK WALNUT
 BRILLIANT POLISH
 DANISH OIL
OLD GROWTH
WHITE OAK
 SOAP
MAPLE
 OXIDIZED

STONE TOP OPTIONS

HONED BLACK
 ST. LAURENT MARBLE
 HONED WHITE
 MACAUBAS QUARTZITE
 HONED ARABESCATO
 CORCHIA MARBLE
 HONED FANTASY
 QUARTZITE

DIMENSIONS

49.5" OAW X 29"H
 48.5" DIA TABLETOP
 62.25" OAW X 29"H
 60" DIA TABLETOP

