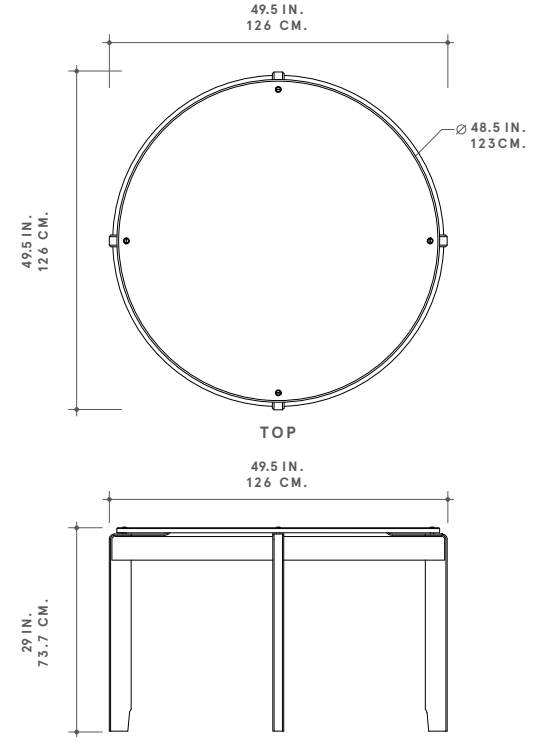


ROMAN AND WILLIAMS  
**GUILD**  
 NEW YORK  
 ORIGINAL DESIGNS



ROMAN AND WILLIAMS GUILD ORIGINAL DESIGNS  
**KANT DINING**

FASCINATED WITH OPPOSITES, OUR DESIGNS VIBRATE BETWEEN HEAVY AND LIGHT PROPORTIONS AND ON THIS SPECTRUM, OUR KANT SERIES IS A QUIETLY COMPLICATED VARIATION. CUSTOM BRASS HARDWARE SITS PROUD OF SURFACE GIVING THE APPEARANCE OF A FLOATING, BEVELED TOP. THE APRON CHASES THE DIAMETER WITH MORTISE AND TENON JOINERY MEETING FOUR CHAMFERED AND HOOVED LEGS WHICH SIT PERPENDICULAR TO THE EDGE OF THE TABLE RATHER THAN PARALLEL.

**DIMENSIONS**  
 49.5" OAW × 30"H  
 48.5" DIA TABLETOP

**PICTURED**  
 SOAPED OLD GROWTH WHITE OAK,  
 BLACKENED BRASS HARDWARE

**WOOD FINISHES**

**SIGNATURE**

OAK  
 BLACK INKED  
 OXIDIZED  
 OYSTER WAXED

**DISTINCTIVE**

FIGURED BLACK WALNUT  
 BRILLIANT POLISH  
 DANISH OIL

OLD GROWTH  
 WHITE OAK  
 SOAP

MAPLE  
 OXIDIZED

**METAL FINISHES**

**SIGNATURE**

BURNISHED BRASS  
 DARK BRASS  
 BLACKENED BRASS  
 BURNISHED NICKEL  
 FRENCH SILVER

**DISTINCTIVE**

ROSE GOLD  
 PEWTER

**DIMENSIONS**

49.5" OAW × 29"H  
 48.5" DIA TABLETOP

