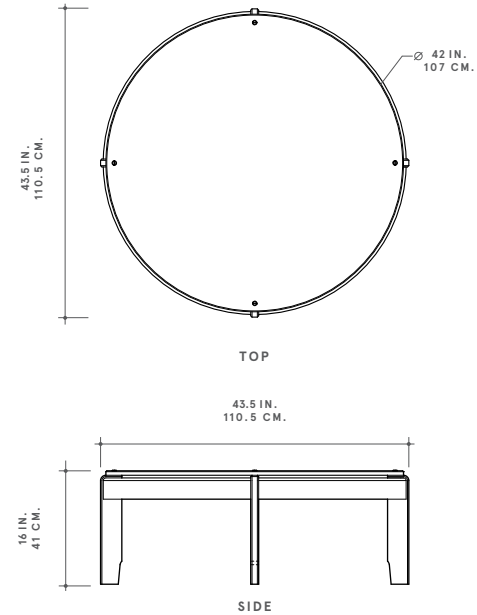


ROMAN AND WILLIAMS
GUILD
 NEW YORK
 ORIGINAL DESIGNS



ROMAN AND WILLIAMS GUILD ORIGINAL DESIGNS
KANT COFFEE

FASCINATED WITH OPPOSITES, OUR DESIGNS VIBRATE BETWEEN HEAVY AND LIGHT PROPORTIONS AND ON THIS SPECTRUM, OUR KANT SERIES IS A QUIETLY COMPLICATED VARIATION. CUSTOM BRASS HARDWARE SITS PROUD OF SURFACE GIVING THE APPEARANCE OF A FLOATING, BEVELED TOP. THE APRON CHASES THE DIAMETER WITH MORTISE AND TENON JOINERY MEETING FOUR CHAMFERED AND HOOVED LEGS WHICH SIT PERPENDICULAR TO THE EDGE OF THE TABLE RATHER THAN PARALLEL.

DIMENSIONS
 43.5" OAW × 16"H
 42" DIA TABLETOP

PICTURED
 FIGURED BLACK WALNUT WITH DANISH OIL, BURNISHED BRASS HARDWARE

WOOD FINISHES

SIGNATURE

OAK
 BLACK INKED
 OXIDIZED
 OYSTER WAXED

DISTINCTIVE

FIGURED BLACK WALNUT
 BRILLIANT POLISH
 DANISH OIL

OLD GROWTH
 WHITE OAK
 SOAP

MAPLE
 OXIDIZED

METAL FINISHES

SIGNATURE

BURNISHED BRASS
 DARK BRASS
 BLACKENED BRASS
 BURNISHED NICKEL
 FRENCH SILVER

DISTINCTIVE

ROSE GOLD
 PEWTER

STONE TOP OPTIONS

HONED BLACK
 ST. LAURENT MARBLE

HONED WHITE
 MACAUBAS QUARTZITE

HONED ARABESCATO
 CORCHIA MARBLE

HONED FANTASY
 QUARTZITE

DIMENSIONS

KANT COFFEE 42
 43.5" OAW × 16"H
 42" DIA TABLETOP

KANT COFFEE 48
 49.5" OAW × 16"H
 48" DIA TABLETOP

