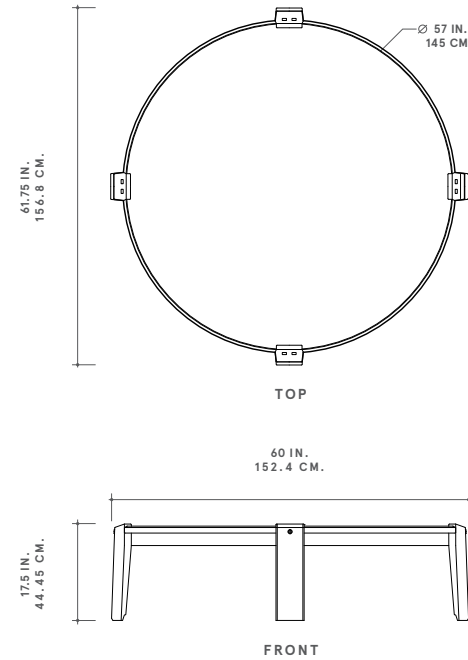


ROMAN AND WILLIAMS  
**GUILD**  
 NEW YORK  
 ORIGINAL DESIGNS



ROMAN AND WILLIAMS GUILD ORIGINAL DESIGNS  
**HUB STONE COFFEE**

OUR HUB STONE COFFEE TABLE IS A CONTINUED STUDY ON OUR ANATOMY OF FORMS. ROBUST HOOVED LEGS CONSIST OF THREE PIECES OF WOOD LAMINATED TOGETHER AND SPLINED WITH EXPOSED EDGES EASED. NOTCHED INTO PLACE USING MASTERFUL WOODWORKING THEY GRAB ONTO THE STONE TOP'S BEVELED EDGE. CHOOSE FROM HONED WHITE MACAUBAS QUARTZITE WITH DEEP INDIGO AND CHARCOAL VEINS OR HONED SAINT LAURENT BLACK MARBLE WITH STRIKING ORANGE AND WHITE VEINING. EXPOSED ATTACHMENTS FEATURE CUSTOM ROMAN AND WILLIAMS GUILD METAL HARDWARE.

**DIMENSIONS**

61.75" OAW × 17.5"H  
 57"DIA TABLETOP

**PICTURED**

FIGURED BLACK WALNUT WITH DANISH OIL, BURNISHED BRASS  
 HARDWARE AND HONED BLACK ST. LAURENT MARBLE

**WOOD FINISHES**

**SIGNATURE**

OAK  
 BLACK INKED  
 OXIDIZED  
 OYSTER WAXED

**DISTINCTIVE**

FIGURED BLACK WALNUT  
 BRILLIANT POLISH  
 DANISH OIL

OLD GROWTH  
 WHITE OAK  
 SOAP

**METAL FINISHES**

**SIGNATURE**

BURNISHED BRASS  
 DARK BRASS  
 BLACKENED BRASS  
 BURNISHED NICKEL  
 FRENCH SILVER

**DISTINCTIVE**

ROSE GOLD  
 PEWTER

**DIMENSIONS**

**STONE HUB 57**  
 61.75" OAW × 17.5"H, 57"DIA  
 TABLETOP

**STONE HUB 48**  
 52.5" OAW × 17.5"H, 48"DIA  
 TABLETOP

**STONE HUB 42**  
 46.25" OAW × 17.5"H, 42"DIA  
 TABLETOP

**STONE TOP OPTIONS**

HONED BLACK  
 ST. LAURENT MARBLE

HONED WHITE  
 MACAUBAS QUARTZITE

HONED ARABESCATO  
 CORCHIA MARBLE

HONED FANTASY  
 QUARTZITE

