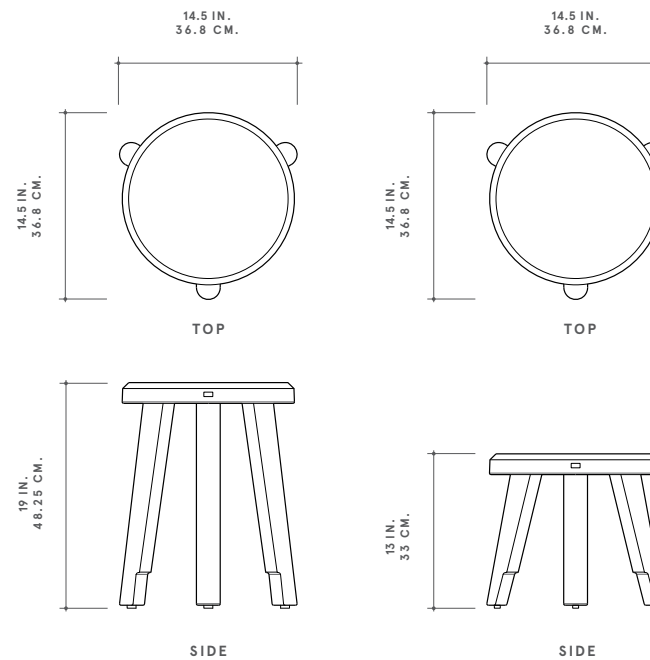


ROMAN AND WILLIAMS
GUILD
 NEW YORK
 ORIGINAL DESIGNS



ROMAN AND WILLIAMS GUILD ORIGINAL DESIGNS
HOOF

HOOF CARRIES THE ANCIENT TRADITION OF GATHERING AND COMMUNITY ALONG WITH QUALITY WOODWORKING. THE TOP IS DEBITED AND HAS CHAMFERED EDGES WITH EXPOSED SPLINES. THREE CHARACTERISTIC NOTCHED AND TAPERED, HOOVED LEGS TENON INTO THE TOP'S UNDERSIDE. AVAILABLE IN TWO HEIGHTS.

DIMENSIONS
 14.5" DIA × 19"H
 14.5" DIA × 13"H

PICTURED
 FIGURED BLACK WALNUT DANISH OIL,
 BLACK INKED OAK

WOOD FINISHES

SIGNATURE

OAK
 BLACK INKED
 OXIDIZED
 OYSTER WAXED

DISTINCTIVE

FIGURED BLACK WALNUT
 BRILLIANT POLISH
 DANISH OIL

OLD GROWTH
 WHITE OAK
 SOAP

DIMENSIONS

HOOF 19
 14.5" DIA × 19"H

HOOF 13
 14.5" DIA × 13"H

