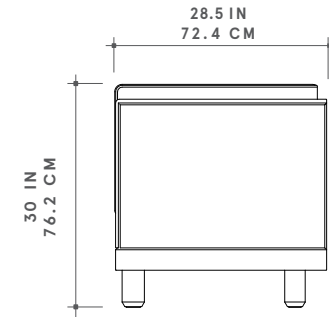
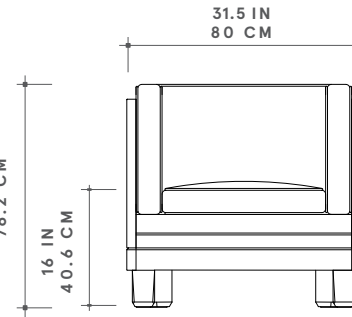
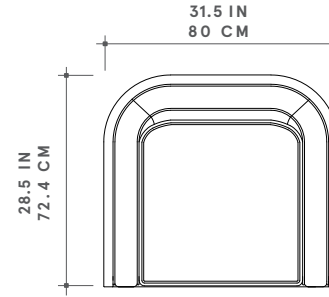


ROMAN AND WILLIAMS
GUILD
 NEW YORK
 ORIGINAL DESIGNS



ROMAN AND WILLIAMS GUILD ORIGINAL DESIGNS
CATALPA ARMCHAIR

OUR CATALPA ARMCHAIR BECKONS WITH ITS CURVILINEAR FORM IN ELEGANT WOOD, LEATHER, AND LINEN. A VISION OF DEPTH, TEXTURE, AND ARTISTRY ENCASED BY A SLIP MATCH VENEER TO ELEVATE YOUR SEATING EXPERIENCE. CREATING A SMOOTH, EVEN APPEARANCE, THE HARDWOOD STRUCTURE SUPPORTS A DECK OF 8-WAY HAND-TIED SPRINGS FOR DURABILITY AND EVEN SUPPORT. THE CENTER FASCIA PANEL OF THE WOOD BASE FEATURES A NEAT CHAMFERED EDGE. WOOD FEET WEAR NON-SLIP PADS. A LEATHER-UPHOLSTERED TIGHT BACK AND CUSHIONED SEATS COMPLETE THE COMPOSITION.

DIMENSIONS
 31.5"W x 28.5"L x 30"H
 16" SEAT HEIGHT

PICTURED
 OYSTER WAXED OAK WITH WAXED AMBER LEATHER

WOOD FINISHES

SIGNATURE

OAK
 BLACK INKED
 OXIDIZED
 OYSTER WAXED

DISTINCTIVE

FIGURED
 BLACK WALNUT
 BRILLIANT POLISH
 DANISH OIL

OLD GROWTH
 WHITE OAK
 SOAP

GUILD FABRICS & LEATHERS

CHOOSE FROM OUR CURATED
 FABRICS AND LEATHERS

DIMENSIONS

31.5"W x 28.5"L x 30"H
 16" SEAT HEIGHT

