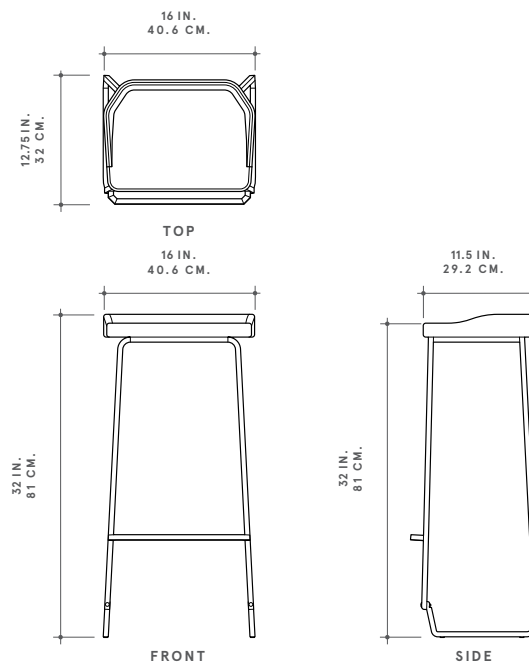


ROMAN AND WILLIAMS
GUILD
 NEW YORK
 ORIGINAL DESIGNS



ROMAN AND WILLIAMS GUILD ORIGINAL DESIGNS
BUTCHER

A GORGEOUS, SCULPTED HARDWOOD SIDE GRAIN SEAT SITS ABOVE SOLID METAL LEGS SPLAYED FOR STABILITY. THE BACK RADIUS OF THE LEGS CURVES FORWARD WITH BRASS SLIDES UNDERNEATH. THE LEGS CURVE UPWARD INTO HOOVED FEET MET BY BESPOKE HARDWARE. A METAL, BEVELED EDGED FOOTREST PROVIDES ADDITIONAL COMFORT AND SUPPORT.

DIMENSIONS
 16"W × 11.5"L × 32"H

PICTURED
 BLACK INKED OAK,
 BLACKENED STEEL

WOOD FINISHES

SIGNATURE

OAK
 BLACK INKED
 OXIDIZED
 OYSTER WAXED

DISTINCTIVE

FIGURED BLACK WALNUT
 BRILLIANT POLISH
 DANISH OIL
 OLD GROWTH WHITE OAK
 SOAP

METAL FINISHES

SIGNATURE

BLACKENED STEEL

DIMENSIONS

BUTCHER 32
 16"W × 11.5"L × 32"H
BUTCHER 28
 16"W × 11.5"L × 28"H

