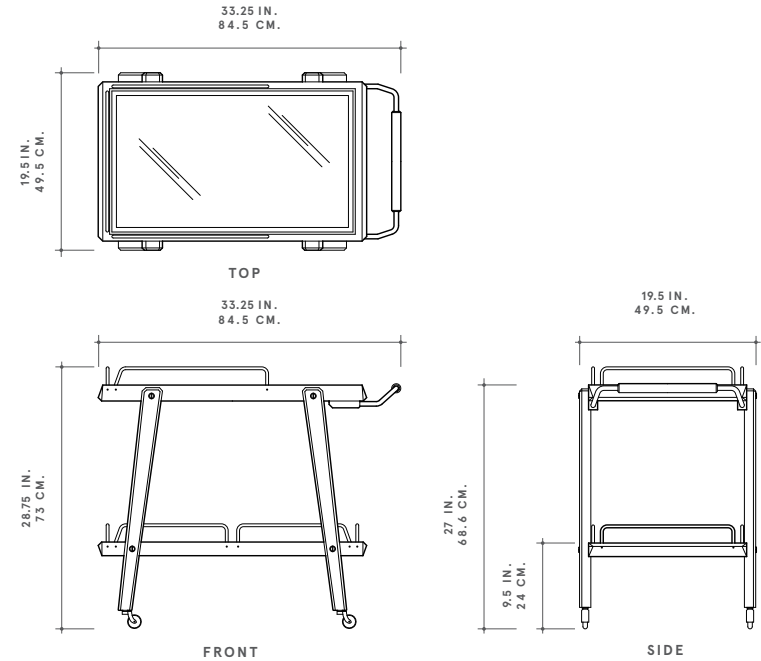


ROMAN AND WILLIAMS
GUILD
 NEW YORK
 ORIGINAL DESIGNS



ROMAN AND WILLIAMS GUILD ORIGINAL DESIGNS
THE BACHELOR

BACHELOR IS A BAR CART WITH AN EXTRA-ARTICULATED, TAPERED FRAME. WE'VE STRIPPED A FAMILIAR STRUCTURE DOWN TO ITS JOINED BONES, RESULTING IN A HARMONIOUS COMPOSITION THAT IS THE PERFECT PLATFORM FOR MIXING UP COCKTAILS. STYLISH AND PRACTICAL METAL ROD GUARDRAILS BENT TO SHAPE AND A METAL HANDLE WITH A WOOD SLEEVE ENCOURAGES MOVEMENT. MID-CENTURY MODERN MEETS THE SOLID EARTH OF CRAFTSMANSHIP WITH CHAMFERS AND A SERIOUS MACHINING PROCESS SHOWCASING COMPLEX, CRITICAL ANGLE CUTS, DADO JOINTS, AND BRASS ALL ON A COOL SET OF WHEELS. THE BEAUTIFUL MIRRORED GLASS REFLECTS LIGHT.

DIMENSIONS
 33.25"W x 19.5"L x 28.75"H

PICTURED
 FIGURED BLACK WALNUT WITH DANISH OIL,
 UNLACQUERED BRASS HARDWARE, MIRROR

WOOD FINISHES

SIGNATURE

OAK
 BLACK INKED
 OXIDIZED
 OYSTER WAXED

DISTINCTIVE

FIGURED
 BLACK WALNUT
 BRILLIANT POLISH
 DANISH OIL

OLD GROWTH
 WHITE OAK
 SOAP

METAL FINISHES

SIGNATURE

BURNISHED BRASS
 DARK BRASS
 BLACKENED BRASS
 BURNISHED NICKEL
 FRENCH SILVER

DISTINCTIVE

ROSE GOLD
 PEWTER

DIMENSIONS

33.25"W x 19.5"L x 28.75"H

