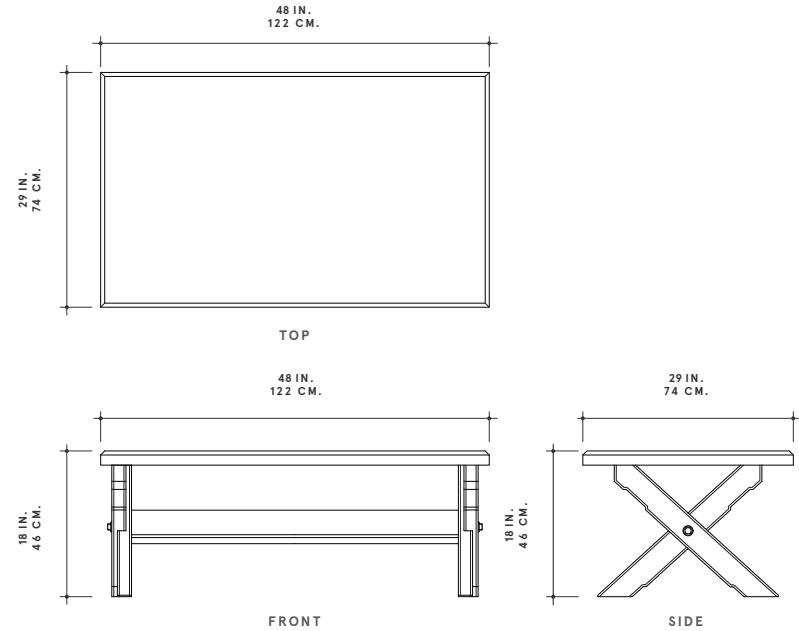


ROMAN AND WILLIAMS  
**GUILD**  
 NEW YORK  
 ORIGINAL DESIGNS



ROMAN AND WILLIAMS GUILD ORIGINAL DESIGNS  
**AXIS COFFEE**

A MEDITATION ON “X” A FORM INHERENT IN STRUCTURAL CONSTRUCTION, OUR AXIS SERIES PROVES TO BE AS STYLISH AS IT IS MUSCULAR. THE FLUSH SEAMS OF THE WOOD PLANK TOP FEATURE EXPOSED SPLINES THAT ENSURE LEVELNESS, STABILITY, AND LONGEVITY. BEVELED EDGES OF OUR AXIS LEGS INVITE AND ECHO OUR CHARACTERISTIC SUBTRACTIVE NOTCHES AND HOOLED FEET. EXPOSED CUSTOM DESIGNED ROMAN AND WILLIAMS GUILD HARDWARE TAKES THE FORM OF A MACHINED SQUARE NUT WITH QUILTED EDGES AND BUILT-IN WASHER. A HORIZONTAL, ANGLED WOOD MEDIAL STRETCHER TIES THE VERTICAL ELEMENTS TOGETHER.

**DIMENSIONS**  
 48”W x 29”L x 18”H

**PICTURED**  
 SOAPED OLD GROWTH WHITE OAK, BURNISHED BRASS  
 HARDWARE

**WOOD FINISHES**

**SIGNATURE**

OAK  
 BLACK INKED  
 OXIDIZED  
 OYSTER WAXED

**DISTINCTIVE**

FIGURED BLACK WALNUT  
 BRILLIANT POLISH  
 DANISH OIL  
 OLD GROWTH WHITE OAK  
 SOAP  
 MAPLE  
 OXIDIZED

**METAL FINISHES**

**SIGNATURE**

BURNISHED BRASS  
 DARK BRASS  
 BLACKENED BRASS  
 BURNISHED NICKEL  
 FRENCH SILVER

**DISTINCTIVE**

ROSE GOLD  
 PEWTER

**DIMENSIONS**

**AXIS COFFEE 48**  
 48”W x 29”L x 18”H  
**AXIS COFFEE 40**  
 40”W x 29”L x 18”H

