



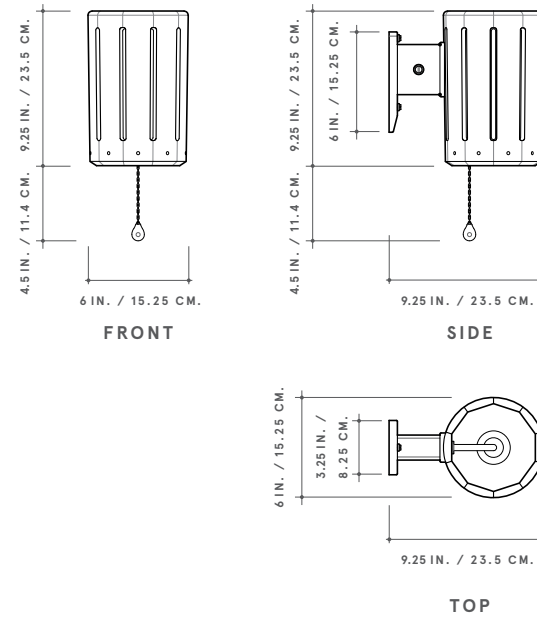
## WOODRUM SCONCE

Our Woodrum family is hearty and anti-delicate. With big and strong forms first designed for The Dutch restaurant in New York City, these lights lend themselves to creating the good cheer of a tavern.

Woodrums are difficult to make: the shape of the drums is gently tapered, not just a tube. The technique comes from wood column construction: segmented pieces are fitted together, then lathed into smooth roundness. Finally, the thin lines are routed out. We're especially proud of the gold-dot riveting brightwork.

Also available as a Pendant, Desk lamp, and Chandelier.

PICTURED: WALNUT WITH MATTE OIL



### METAL FINISHES

#### SIGNATURE

Burnished Brass  
Dark Brass  
Blackened Brass  
Burnished Nickel

#### DISTINCTIVE

Rose Gold  
Silver  
Pewter

### DIMENSIONS

9.25"H × 6"W × 9.25"Projection  
Pull Chain: 4.5" Long

### LAMPING

40 W Medium Base Dimmable Bulb  
UL Listed  
Bulb not provided